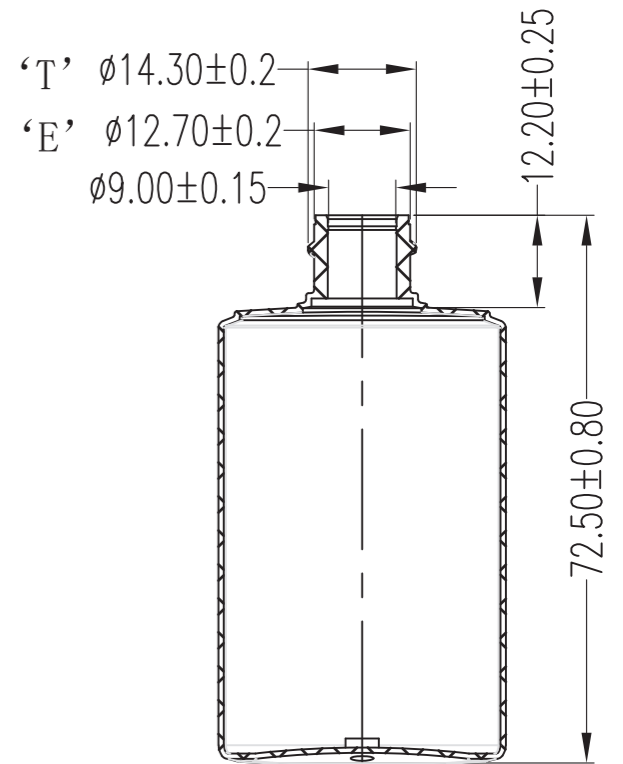
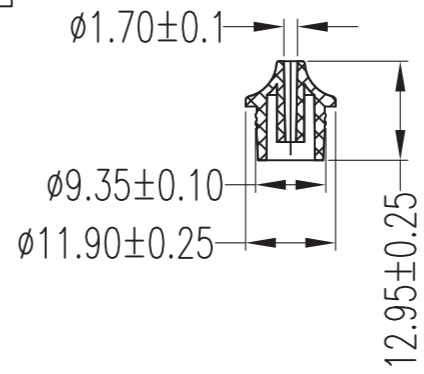
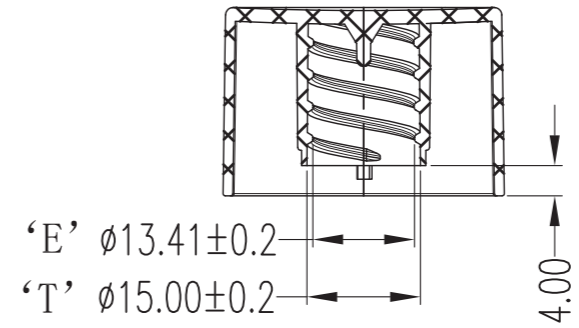
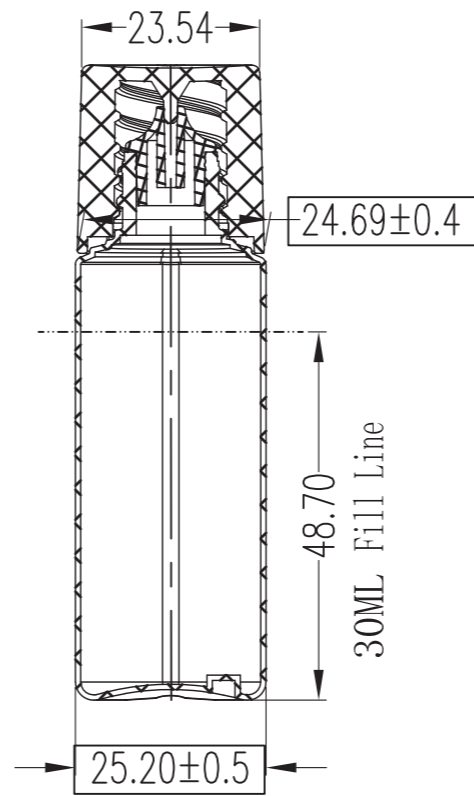
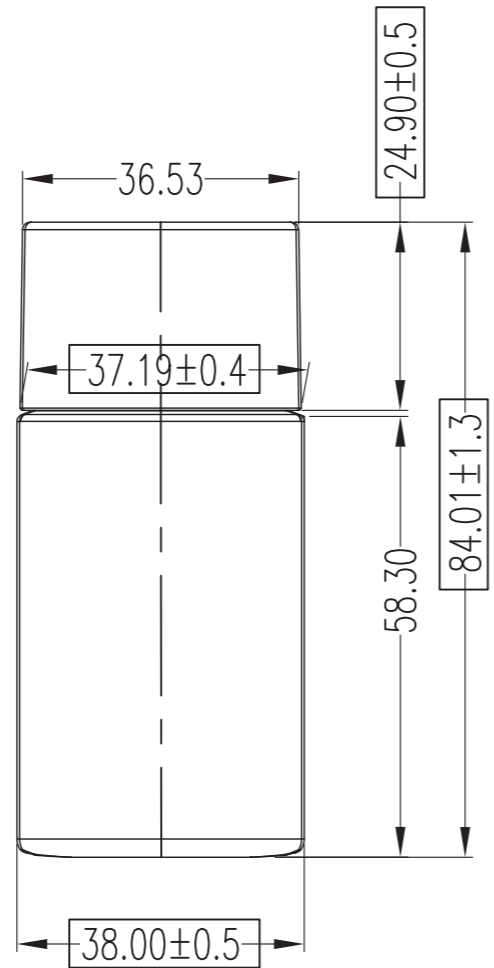
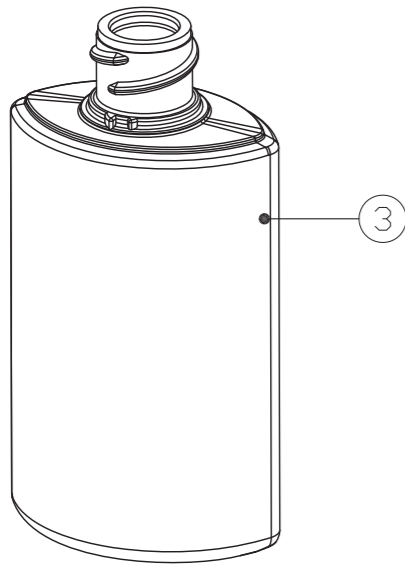
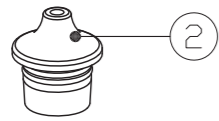
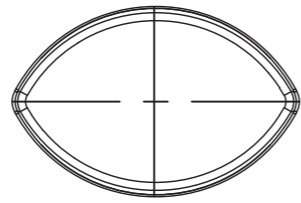
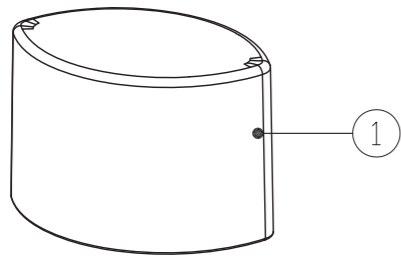


Nr	ITEM NAME	MATERIAL	GRADE Nr	MAKER



Item	Part Name	Material	QTY	Color	Weight	Remark
⑥						
⑤						
④						
③	Bottle	50% VirginHDPE +50% PCR HDPE	1		6.3g	
②	PLUG	LDPE	1		0.45g	
①	CAP	50% VirginPP +50% PCR PP	1		4.6g	

3				
2				
1				
Revision:			Date:	Approved:
NAME:	DATE: 2021.08.10		MATERIAL:	
Drawn:		Useful Capacity:		MANUFACTURER CODE
Checked:		Overflow Capacity: 36.5 ± 2.5ML	CLIENT:	
Approved:		Weight:		
PROJECT NUMBER	Pack Code: BTL10667-30ml	DWG NR.	REF	
The copyright of this drawing is owned by Quadpack Group. Its contents shall not be reproduced nor disclosed to a third party without written permission.			SCALE: 1/1	
			SHEET 1 OF 1	