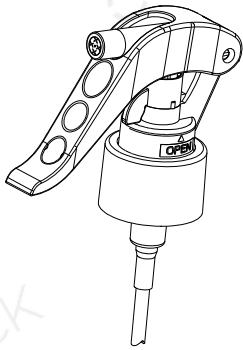
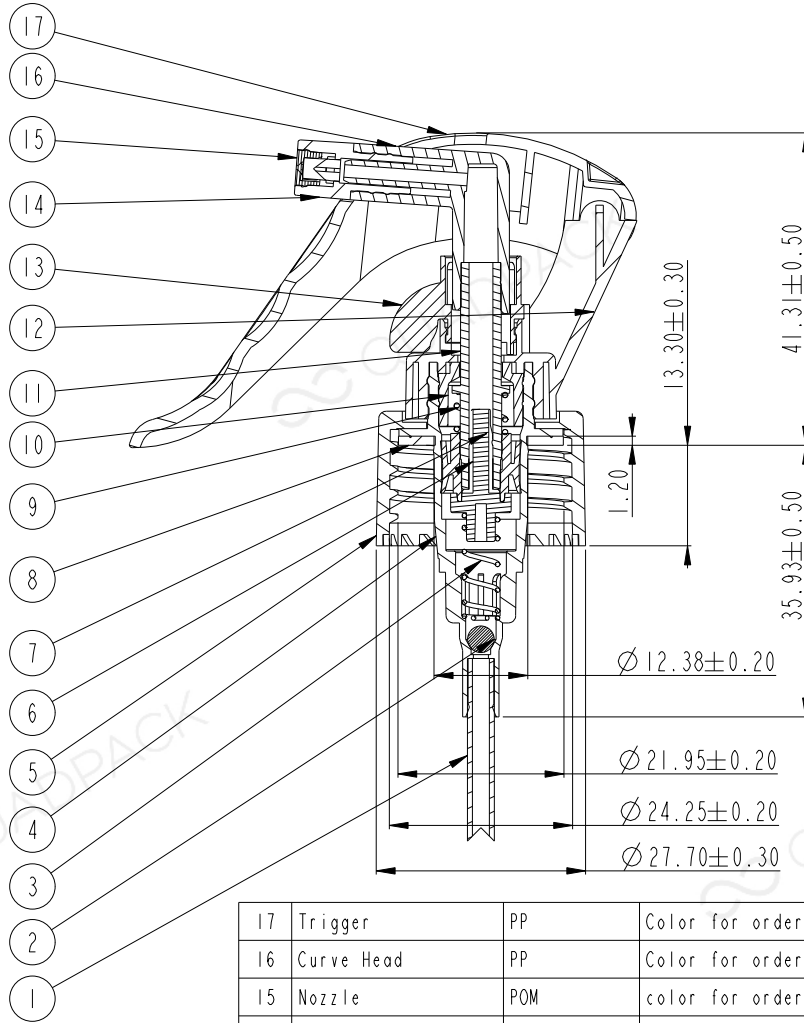


Description: 24/410 Trigger Sprayer
 Pack Code: LPS10-731 (24/410)
 Drawing Type: Technical



1:2

17	Trigger	PP	Color for order form		I
16	Curve Head	PP	Color for order form		I
15	Nozzle	POM	color for order form		I
14	Nozz	PP	color from order form		I
13	Switch	PP	Color for order form		I
12	Pedestal	PP	Color for order form		I
11	Stem	POM	natural		I
10	Cover	POM	Natural		I
9	Spring	SUS304	φ0.7*φ7.1*11*5N		I
8	Gasket	EPE	φ21.8*φ12.1*1.2mm		I
7	Piston	LDPE	natural		I
6	Needle	POM	natural		I
5	Closure	PP	Color for order form		I
4	Housing	PP	Ntural		I
3	Spring	SUS304	φ0.6*φ5*20.5*9.5N		I
2	φ3.5 Ball	GLASS	natural		I
1	Pipe	LDPE	φ3.55*0.65mm		I
NO.	Component	Material	Specification		QTY Remark

Cup I.D	
Dosage	0.3±0.05ml
Pump to prime	10
NFC	
OFC	
Residues	
Weight	13.80g

TOLERANCE			○	DRAFTER: Xu	UNIT: mm
0mm-15mm	±0.05	±0.10	±0.50	CHECKED:	
15mm-30mm	±0.05	±0.15	±1.00	CENSOR:	SCALE: 1:1
30mm-50mm	±0.10	±0.20	±1.50	APPROVED:	VISUAL ANGLE
50mm-99mm	±0.15	±0.30	±2.00		Q'TY: 1/1
ABOVE 99mm	±0.20	±0.40	±2.50		REV: A0
CENTER	±0.10	±0.50	±1.00		DWG NO:
ANGLE	±0.25°	±0.50°	±2.00°		PRODUCT NO: