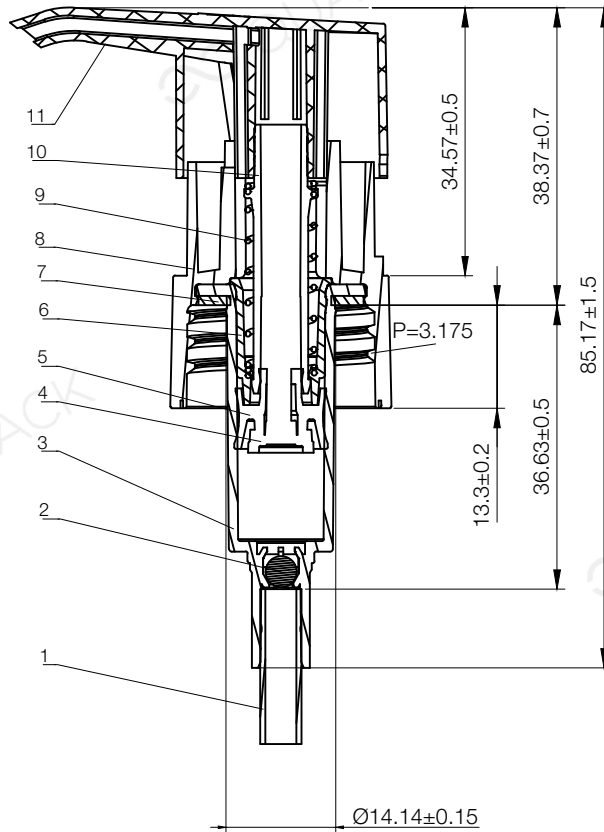
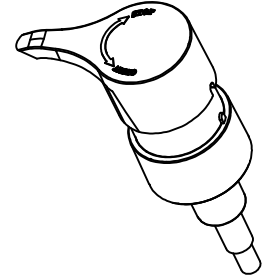
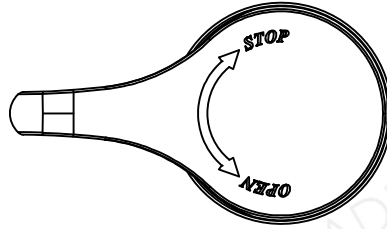


Description: 24/410 Pump
 Pack Code: LPS10-730 (24/410)
 Drawing Type: Technical



Technical Note:
 1. Dosage: 1.00ml±0.1/T

11	Actuator	PP	Color for order form
10	Stem	PP	Natural
9	Spring	SUS304	Natural
8	Closure	PP	Color for order form
7	Gasket	PP	Natural
6	Extenseur	PP	Natural
5	Piston	TPE	Natural
4	Sub Stem	PP	Natural
3	Housing	PP	Natural
2	Ball	GLASS	4.0mm
1	Dip Tube	PE	5.3*0.7T

TOLERANCE	○			DWG No	QTY	Weight(g)	Remark
0mm-15mm	±0.05	±0.10	±0.50	DRAFTER: David Du 2021.12.20	UNIT: mm		
15mm-30mm	±0.05	±0.15	±1.00		SCALE: 1/1		
30mm-50mm	±0.10	±0.20	±1.50	CHECKED:	MODEL NAME:		
50mm-99mm	±0.15	±0.30	±2.00	CENSOR:	MATERIAL:	Q'TY:	VISUAL ANGLE
ABOVE 99mm	±0.20	±0.40	±2.50			1/1	
CENTER	±0.10	±0.50	±1.00	APPROVED:	PART NO:		DWG NO:
ANGLE	±0.25°	±0.50°	±2.00°				