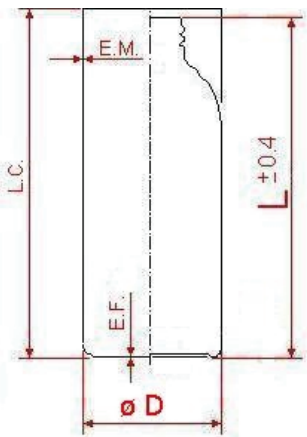
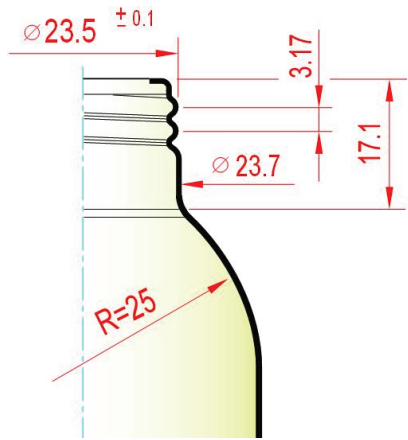


# QUADPACK

PACK CODE EHST4ALUB-4oz  
 PACK TYPE Bottles  
 CATEGORY Skincare



## PRODUCT DATA SHEET

**DESCRIPTION** Aluminum bottles available in 2oz, 4oz, 6oz, 8oz, 10oz and 12oz. 24-410 Neck

**BENEFITS** Our aluminum bottles are lightweight and 100% recyclable. This material is resistant to corrosion, and will keep your formula protected. It's the perfect solution to improve your sustainability using refill (pouch) systems.

**APPLICATIONS** Haircare, bodycare, house care, etc.



### TECHNICAL SPECIFICATIONS

#### GENERAL INFORMATION

#### PRODUCTION & PACKING

#### DIMENSIONS

Total Height	115mm
Diameter	Ø45mm

#### PRODUCTION

Lead time	20 wks 25 wks for PCR
-----------	--------------------------

MOQ	15k no deco - 30k deco
Plant location	South America

#### MATERIALS

Bottle	Aluminum Option: PCR 55%
--------	-----------------------------



#### PACKING SPECS

Carton Size (m)	G.W (kg)	N.W (kg)	Qty/Ctn	Qty/Pallet
1,0*1,2*1,07	105	91	183	4,176

#### CAPACITY

Declared	135ml
OFC	145ml±2ml

#### DECO OPTIONS

Bottle	- Dry offset (Up to 5 colors) - Label
--------	--