

# QUADPACK

PACK CODE EHST2ALUB-2oz  
 PACK TYPE Bottles  
 CATEGORY Skincare

## PRODUCT DATA SHEET

### DESCRIPTION

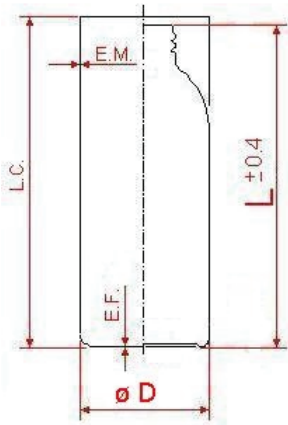
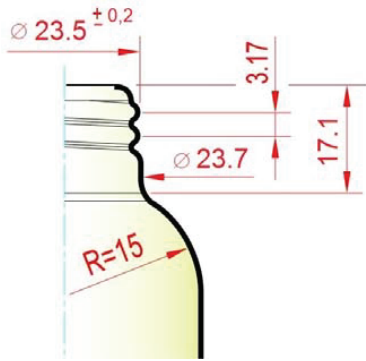
Aluminum bottles available in 2oz, 4oz, 6oz, 8oz, 10oz and 12oz.  
 24-410 Neck

### BENEFITS

Our aluminum bottles are lightweight and 100% recyclable. This material is resistant to corrosion, and will keep your formula protected. It's the perfect solution to improve your sustainability using refill (pouch) systems.

### APPLICATIONS

Haircare, bodycare, house care, etc.



### TECHNICAL SPECIFICATIONS

#### GENERAL INFORMATION

#### PRODUCTION & PACKING

#### DIMENSIONS

Total Height	97mm
Diameter	$\varnothing 35\text{mm}$

#### PRODUCTION

Lead time	20 wks 25 wks for PCR
MOQ	15k no deco - 30k deco
Plant location	South America

#### MATERIALS

Bottle	Aluminum Option: PCR 100%
--------	------------------------------

#### PACKING SPECS

Carton Size (m)	G.W (kg)	N.W (kg)	Qty/Ctn	Qty/Pallet
1,0*1,2*1,12	114	100	394	8,976



#### CAPACITY

Declared	70 ml
OFC	76ml $\pm$ 2ml

#### DECO OPTIONS

Bottle	- Dry offset (Up to 5 colors) - Label
--------	--