

Stock Tubes: Proudly PCR Plastic



At Quadpack, as a B Corp company, we are committed to sustainable packaging solutions. Our stock tubes are now composed of PCR (post-consumer recycled) plastic, which gives a second life to plastic materials and helps reduce carbon footprint.

Layers Specification:

1. Inner Layer: Virgin PE to maximize compatibility and sealing performance.
2. Middle Layer: EVOH, a barrier that helps preserve your formula's integrity.
3. Outer Layer & Tube Head: Mix of virgin and recycled PE.
4. Cap: Virgin PP (polypropylene)

Certification & Quality Assurance

Certified FDA PCR raw materials.

Performance / Sealing

The inner layer are made of virgin PE to maintain same sealing parameter.

Advantages for Your Brand

1. No compromise on performance and compatibility
2. Environmentally-friendly packaging solution
3. Compliance with growing sustainability demands from consumers and regulators

Inherent to PCR Process

The use of PCR plastic (FDA approved) may sometimes lead to the appearance of small black dots on our tubes. This is attributed to the presence of black plastic granulate in the recycled material. Despite our best efforts to minimize this, it can sometimes occur due to the current recycling stream.



PACK CODE 8oz White Tube
PACK TYPE Tubes
CATEGORY Skincare

DESCRIPTION	8oz White Glossy Stock Tube Option to Custom Order
BENEFITS	Formula protection (EVOH Barrier) 25% PCR (tube sleeve + head) Easy Bottom Fill & Seal
APPLICATIONS	Glossy Varnish - Easy To Apply Decoration Hair Care, Body Care, Skin Care, Sun Care

TECHNICAL SPECIFICATIONS

GENERAL INFORMATION

MANUFACTURING & PACKING

DIMENSIONS	
Tube Height (Stock)	117mm
Total Height (Stock)	205mm
Diameter	ø50mm
Sleeve Thickness	0.45 +/-0.03
Head Scew	Yes
Cap Orifice	8mm

PRODUCTION & SHIPPING	
Lead time (Stock)	2-3 days
MOQ Instockpack	1 case
MOQ	5k
MOQ Decorated Tube	10k 2 SKUs
Plant location	North America

PACKING SPECS

CTN SIZE	QTY/CTN
L55XW40XH80CM	160
G.W. (KG)	N.W. (KG)
5.822	4.197

MATERIALS

Cap	Virgin PP
Head	40% PCR PE
Top Seal	PE/AL
Tube	5-Layer CO-EX EVOH
Inner Layer	Virgin PE
Outer Layer	45% PCR PE
Tube 5-Layer	(LDPE)

SEALING RECOMMENDATION

- Temperature range: 300° - 450°C
- Speed: 35-50 tubes per minute.
- Air pressure: 0.5 bar

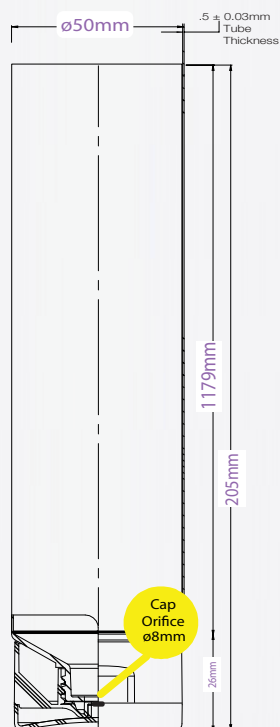
*Conditions may vary depending on the machine model.

CAPACITY

Declared	8oz
----------	-----

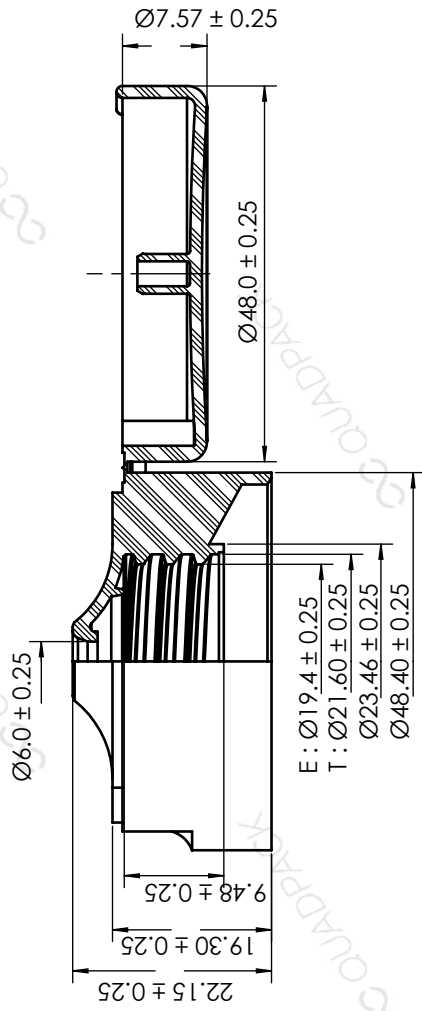
DECO OPTIONS

- Tube
- Silk Screen • Hot Stamping
 - Labeling • Heat Transfer

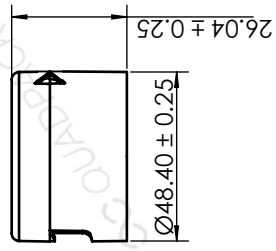
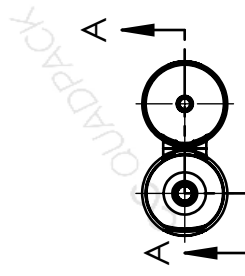


*Drawing scale not 1:1





SECTION A-A



Thread Pitch : 3.0
Tube weight : 17.17 ± 1 g
Cap weight : 9.13 ± 0.5 g

