

Stock Tubes: Proudly PCR Plastic



At Quadpack, as a B Corp company, we are committed to sustainable packaging solutions. Our stock tubes are now composed of PCR (post-consumer recycled) plastic, which gives a second life to plastic materials and helps reduce carbon footprint.

Layers Specification:

1. Inner Layer: Virgin PE to maximize compatibility and sealing performance.
2. Middle Layer: EVOH, a barrier that helps preserve your formula's integrity.
3. Outer Layer & Tube Head: Mix of virgin and recycled PE.
4. Cap: Virgin PP (polypropylene)

Certification & Quality Assurance

Certified FDA PCR raw materials.

Performance / Sealing

The inner layer are made of virgin PE to maintain same sealing parameter.

Advantages for Your Brand

1. No compromise on performance and compatibility
2. Environmentally-friendly packaging solution
3. Compliance with growing sustainability demands from consumers and regulators

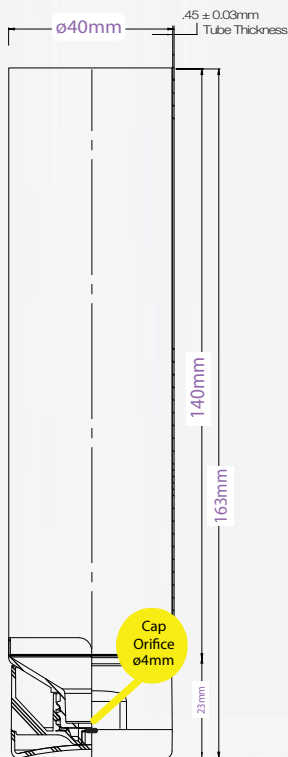
Inherent to PCR Process

The use of PCR plastic (FDA approved) may sometimes lead to the appearance of small black dots on our tubes. This is attributed to the presence of black plastic granulate in the recycled material. Despite our best efforts to minimize this, it can sometimes occur due to the current recycling stream.



PACK CODE 4oz White Tube
PACK TYPE Tubes
CATEGORY Skincare

DESCRIPTION	4oz White Glossy Stock Tube Option to Custom Order
BENEFITS	Formula protection (EVOH Barrier) 25% PCR (tube sleeve + head) Easy Bottom Fill & Seal Glossy Varnish - Easy To Apply Decoration
APPLICATIONS	Hair Care, Body Care, Skin Care, Sun Care



*Drawing scale not 1:1



TECHNICAL SPECIFICATIONS

GENERAL INFORMATION

DIMENSIONS

Tube Height(Stock)	140mm
Total Height(Stock)	163mm
Diameter	$\phi 40\text{mm}$
Sleeve Thickness	0.45 ± 0.03
Head Scew	Yes
Tube Orifice	3.5mm
Cap Orifice	4mm

MATERIALS

Cap	Virgin PP
Head	40% PCR PE
Top Seal	PE/AL
Tube	5-Layer CO-EX EVOH
Inner Layer	Virgin PE
Outer Layer	45% PCR PE
Tube 5-Layer	(LDPE)

CAPACITY

Declared	4oz
----------	-----

MANUFACTURING & PACKING

PRODUCTION & SHIPPING

Lead time (Stock)	2-3 days
MOQ Instockpack	1 case
MOQ	5k
MOQ Decorated Tube	10k 2 SKUs
Plant location	North America

PACKING SPECS

CTN SIZE	QTY/CTN
L50.5xw33.4xh37cm	210
G.W. (KG)	N.W. (KG)
4.589	3.467

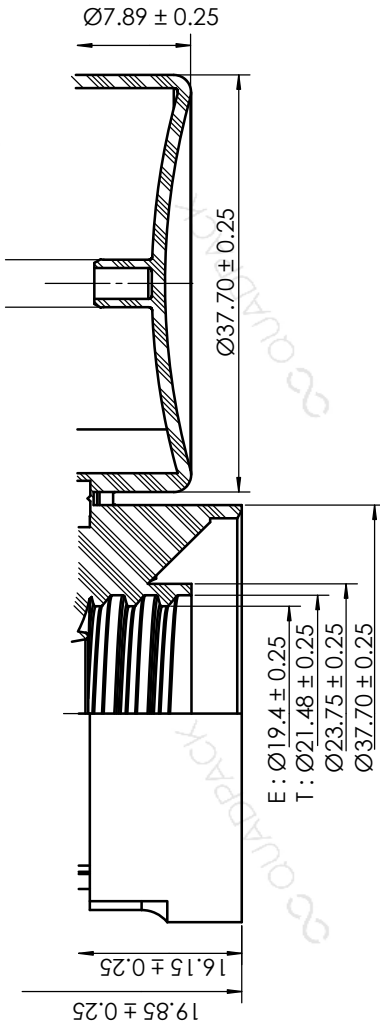
SEALING RECOMMENDATION

- Temperature range: 300° - 450°C
- Speed: 35-50 tubes per minute.
- Air pressure: 0.5 bar

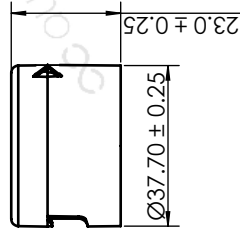
*Conditions may vary depending on the machine model.

DECO OPTIONS

- Tube
- Silk Screen
 - Hot Stamping
 - Labeling
 - Heat Transfer



SECTION A-A



Thread Pitch : 3.0
Tube weight : 10.22 ± 1 g
Cap weight : 6.15 ± 0.5 g

