

QUADPACK

PACK CODE JAR2526-4.25oz
 PACK TYPE J A R S
 CATEGORY Skincare

PRODUCT DATA SHEET

DESCRIPTION

Single wall jar all PP 4.25oz (also available in 2, 4, 4.5, 6, 8, 12 & 16oz)

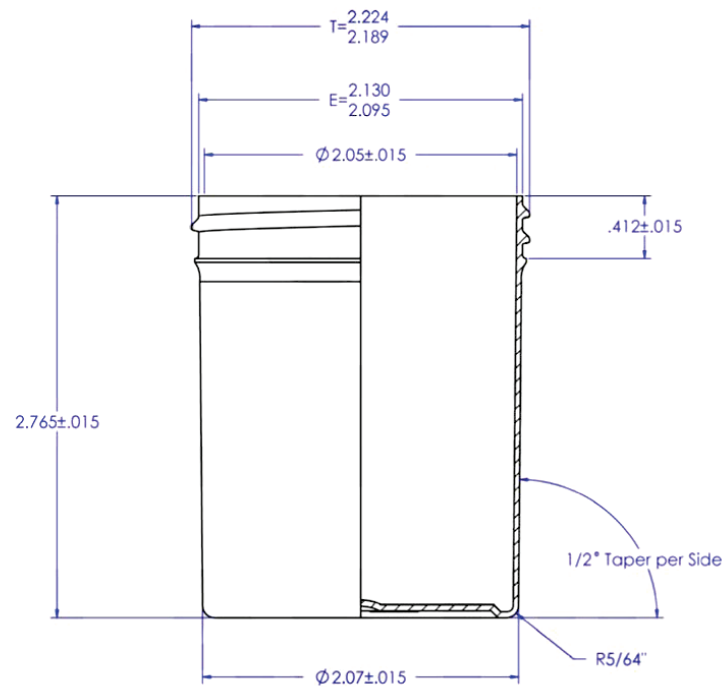
BENEFITS

Maximum compatibility with your formula
 Price efficient
 Easy top filling (fill & screw on cap)
 Wide range of decoration
 Evacuation rate 100%



APPLICATIONS

Creams, lotions, moisturizer, gel



TECHNICAL SPECIFICATIONS

GENERAL INFORMATION

PRODUCTION & PACKING

DIMENSIONS

Total Height	2.765±.015
Diameter	2.07±.015

PRODUCTION

Lead time	4 - 6 weeks
MOQ	10k
Plant location	USA

MATERIALS

Jar	PP
Cap	PP

PACKING SPECS

	Carton Size	N.W	Qty/Ctn
Jar	24" x 16" x 18"	16 lbs	432
Smooth Cap	20" x 14" x 14.5"	16.7 lbs	1050
Dome Cap	20" x 14" x 14.5"	18 lbs	950

CAPACITY

Declared	4.25oz
OFC	141ml ± 3%

DECO OPTIONS

Jar

Injection color, silk screen, hot stamping

Cap

Injection color, silk screen, hot stamping