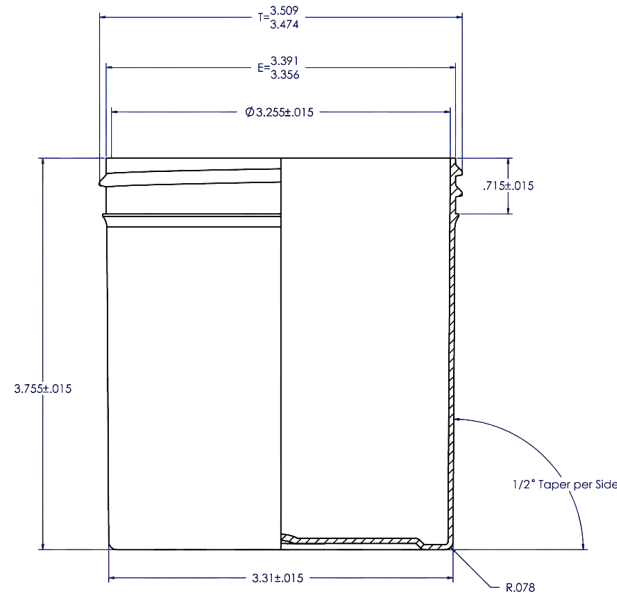


QUADPACK

PACK CODE JAR2525-16oz
 PACK TYPE J A R S
 CATEGORY Skincare



PRODUCT DATA SHEET

DESCRIPTION

Single wall jar all PP 16oz (also available in 2.5, 4, 4.25, 4.5, 6, 8 & 12oz)

BENEFITS

Maximum compatibility with your formula
 Price efficient
 Easy top filling (fill & screw on cap)
 Wide range of decoration
 Evacuation rate 100%



APPLICATIONS

Creams, lotions, moisturizer, gel

TECHNICAL SPECIFICATIONS

GENERAL INFORMATION

PRODUCTION & PACKING

DIMENSIONS

Total Height	3.755±.015
Diameter	Ø3.255±.015

PRODUCTION

Lead time	4 - 6 weeks
MOQ	10k
Plant location	USA

MATERIALS

Jar	PP
Cap	PP

PACKING SPECS

	Carton Size	N.W	Qty/Ctn
Jar	24" x 21" x 20.4"	20 lbs.	200
Smooth cap	20" x 14" x 14.5"	14.3 lbs.	370
Dome cap	20" x 14" x 14.5"	14.3 lbs.	350

CAPACITY

Declared	16oz
OFC	485ml ± 3%

DECO OPTIONS

Jar

Injection color, silk screen, hot stamping

Cap

Injection color, silk screen, hot stamping