

PACK CODE JAR2523-8oz  
 PACK TYPE J A R S  
 CATEGORY Skincare

## PRODUCT DATA SHEET

### DESCRIPTION

Single wall jar all PP 8oz (also available in 2.5,4, 4.25, 4.5, 6, 12 & 16oz)

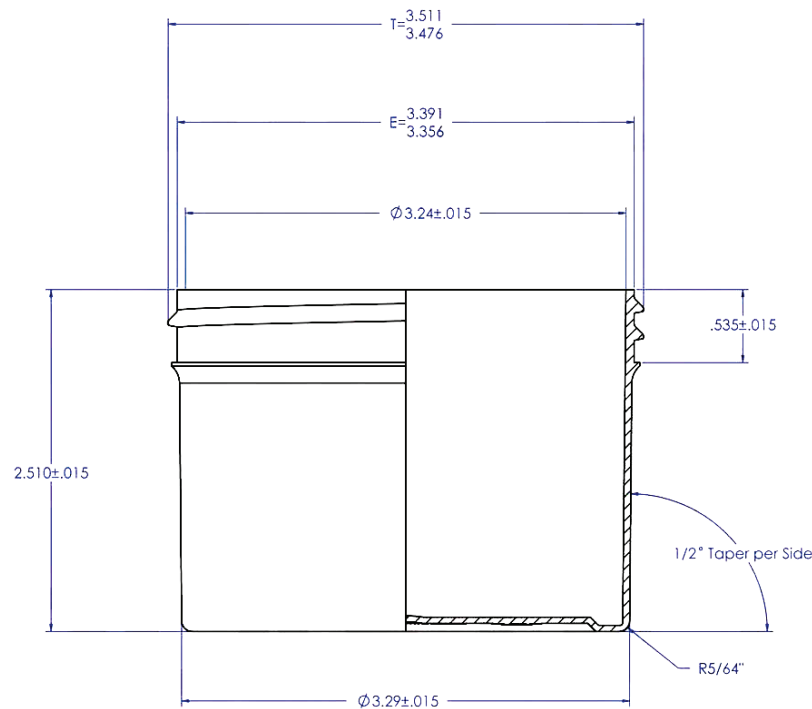
### BENEFITS

- Maximum compatibility with your formula
- Price efficient
- Easy top filling (fill & screw on cap)
- Wide range of decoration
- Evacuation rate 100%



### APPLICATIONS

Creams, lotions, moisturizer, gel



## TECHNICAL SPECIFICATIONS

### GENERAL INFORMATION

### PRODUCTION & PACKING

#### DIMENSIONS

|              |            |
|--------------|------------|
| Total Height | 3.150±.015 |
| Diameter     | Ø3.2±.015  |

#### PRODUCTION

|                |             |
|----------------|-------------|
| Lead time      | 4 - 6 weeks |
| MOQ            | 10k         |
| Plant location | USA         |

#### MATERIALS

|     |    |
|-----|----|
| Jar | PP |
| Cap | PP |

#### PACKING SPECS

|            | Carton Size       | N.W      | Qty/Ctn |
|------------|-------------------|----------|---------|
| Jar        | 24" x 21" x 20.4" | 22 lbs   | 287     |
| Smooth cap | 20" x 14" x 14.5" | 14.3 lbs | 370     |
| Dome cap   | 20" x 14" x 14.5" | 14.3 lbs | 350     |

#### CAPACITY

|          |            |
|----------|------------|
| Declared | 8oz        |
| OFC      | 317ml ± 3% |

### DECO OPTIONS

#### Jar

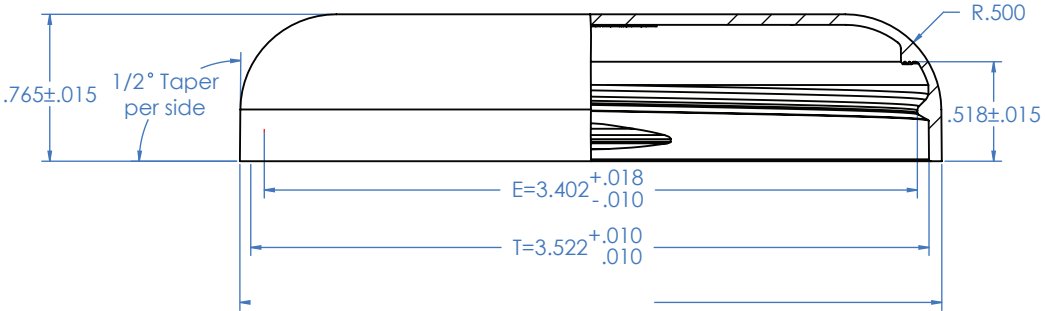
Injection color, silk screen, hot stamping

#### Cap

Injection color, silk screen, hot stamping

## CAP OPTIONS

### 89mm-400 Dome



### 89mm-400 Smooth

