

PACK CODE JAR2522-8oz
 PACK TYPE J A R S
 CATEGORY Skincare

DESCRIPTION

Single wall jar all PP 8oz (also available in 2.5, 4, 4.25, 4.5, 6, 12 & 16oz)

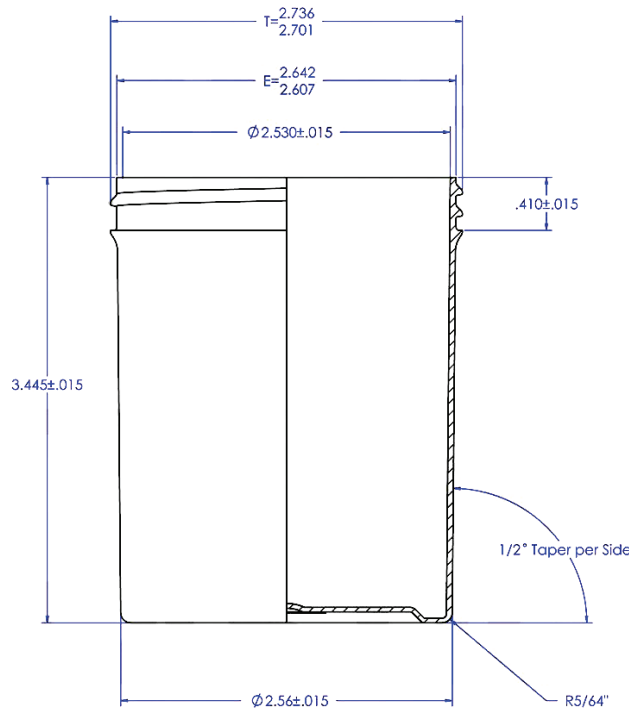
BENEFITS

Maximum compatibility with your formula
 Price efficient
 Easy top filling (fill & screw on cap)
 Wide range of decoration
 Evacuation rate 100%



APPLICATIONS

Creams, lotions, moisturizer, gel



TECHNICAL SPECIFICATIONS

GENERAL INFORMATION

PRODUCTION & PACKING

DIMENSIONS

Total Height	3.445±.015
Diameter	2.56±.015

PRODUCTION

Lead time	4 - 6 weeks
MOQ	10k
Plant location	USA

MATERIALS

Jar	PP
Cap	PP

PACKING SPECS

	Carton Size	N.W	Qty/Ctn
Jar	20" x 21" x 20.4"	22.5 lbs	350
Smooth cap	20" x 14" x 14.5"	15.8 lbs	700
Dome Cap	20" x 14" x 14.5"	15.8 lbs	680

CAPACITY

Declared	8oz
OFC	269ml ± 3%

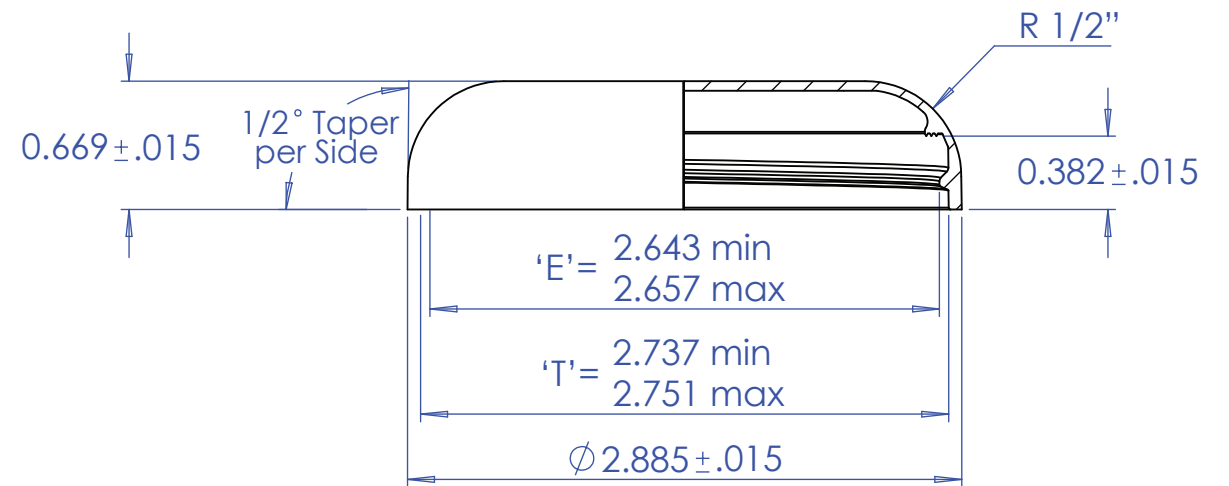
DECO OPTIONS

Jar
 Injection color, silk screen, hot stamping
Cap
 Injection color, silk screen, hot stamping

QUADPACK

CAP OPTIONS

70mm-400 Dome



70mm-400 Smooth

