

PACK CODE JAR2520-4oz
PACK TYPE J A R S
CATEGORY Skincare

DESCRIPTION

Single wall jar all PP 4oz (also available in 2.5, 4.25, 4.5, 6, 8, 12 & 16oz)

BENEFITS

Maximum compatibility with your formula
 Price efficient
 Easy top filling (fill & screw on cap)
 Wide range of decoration
 Evacuation rate 100%



APPLICATIONS

Creams, lotions, moisturizer, gel

TECHNICAL SPECIFICATIONS

GENERAL INFORMATION

DIMENSIONS

Total Height	2.290±.015
Diameter	ø2.535±.015

PRODUCTION & PACKING

PRODUCTION

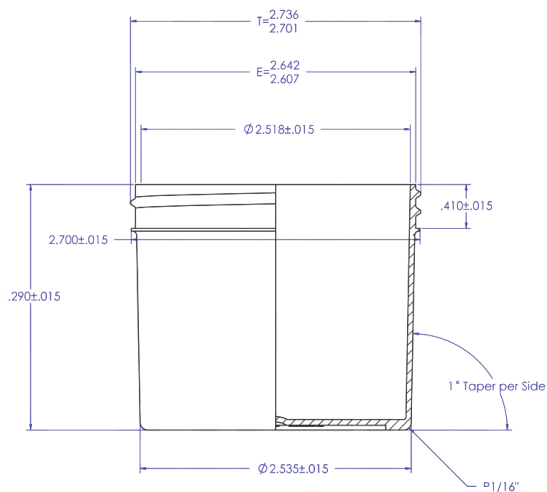
Lead time	4 - 6 weeks
MOQ	10k
Plant location	USA

MATERIALS

Outer Jar	PP
Cap	PP

PACKING SPECS

	Carton Size	N.W	Qty/Ctn
Jar	24" x 21" x 20.4"	24 lbs	500
Smooth cap	20" x 14" x 14.5"	15.8 lbs	700
Dome Cap	20" x 14" x 14.5"	15.8 lbs	680



CAPACITY

Declared	4oz
OFC	177ml ± 3%

DECO OPTIONS

Jar

Injection color, silk screen, hot stamping

Cap

Injection color, silk screen, hot stamping