

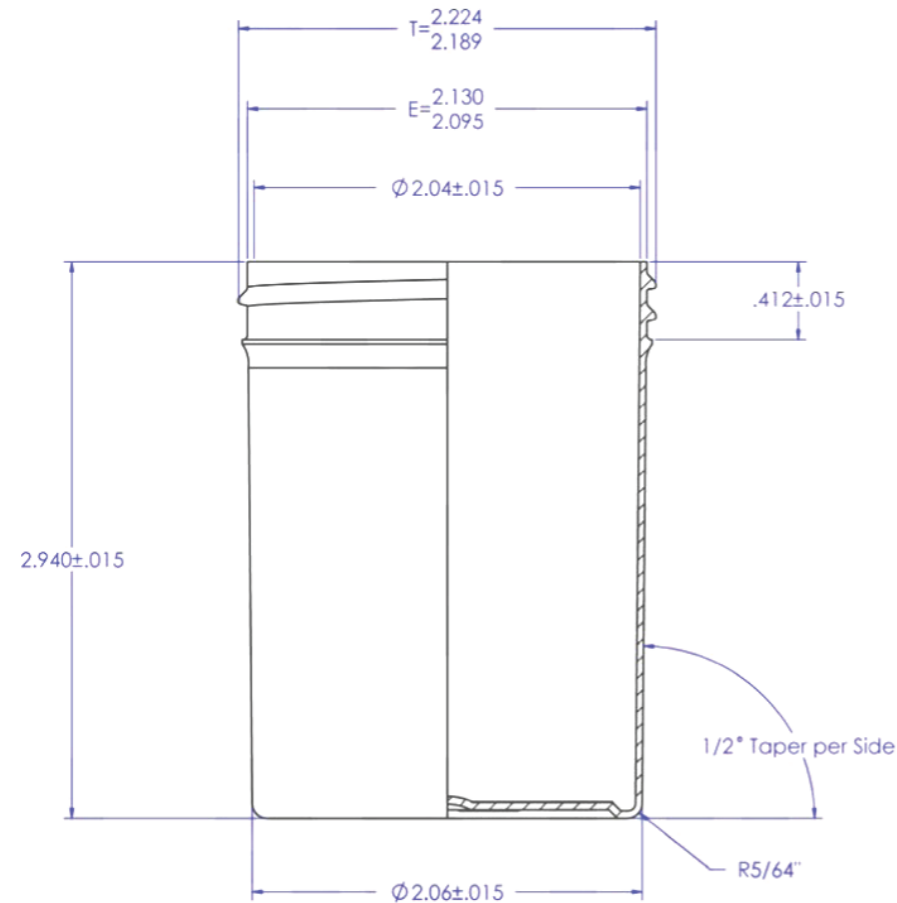
PACK CODE JAR2518-4.5oz
PACK TYPE J A R S
CATEGORY Skincare

DESCRIPTION Single wall jar all PP 4.5oz (also available in 2.5, 4, 4.25, 6, 8, 12 & 16oz)

BENEFITS
 Maximum compatibility with your formula
 Price efficient
 Easy top filling (fill & screw on cap)
 Wide range of decoration
 Evacuation rate 100%



APPLICATIONS Creams, lotions, moisturizer, gel



TECHNICAL SPECIFICATIONS

GENERAL INFORMATION

DIMENSIONS

Total Height	2.940±.015
Diameter	Ø2.06±.015

MATERIALS

Jar	PP
Cap	PP

CAPACITY

Declared	135ml
OFC	149ml ± 3%

PRODUCTION & PACKING

PRODUCTION

Lead time	4 - 6 weeks
MOQ	10k
Plant location	USA

PACKING SPECS

	Carton Size	N.W	Qty/Ctn
Jar	24" x 16" x 18"	14	360
Smooth Cap	20" x 14" x 14.5"	16.7	1050
Dome Cap	20" x 14" x 14.5"	18	950

DECO OPTIONS

Jar

Injection color, silk screen, hot stamping

Cap

Injection color, silk screen, hot stamping