

QUADPACK

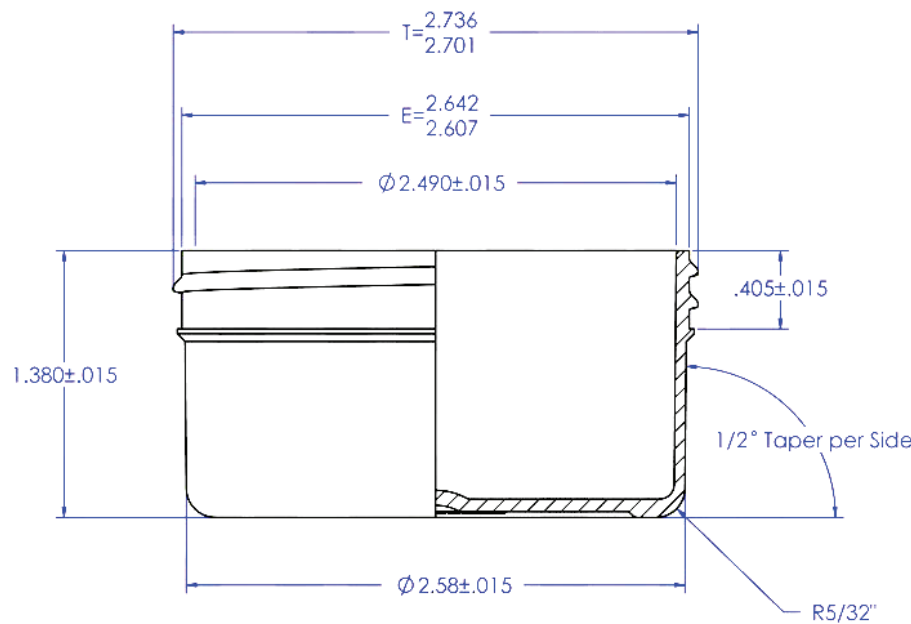
PACK CODE JAR2517- 2.5oz
 PACK TYPE J A R S
 CATEGORY Skincare

PRODUCT DATA SHEET

DESCRIPTION Single wall jar all PP 2.5oz (also available in 4, 4.25, 4.5, 6, 8, 12 & 16oz)

BENEFITS
 Maximum compatibility with your formula
 Price efficient
 Easy top filling (fill & screw on cap)
 Wide range of decoration
 Evacuation rate 100%

APPLICATIONS Creams, lotions, moisturizer, gel



TECHNICAL SPECIFICATIONS

GENERAL INFORMATION

PRODUCTION & PACKING

DIMENSIONS

Total Height	1.380±0.15
Diameter	2.58±0.15

PRODUCTION

Lead time	4 - 6 weeks
MOQ	10k
Plant location	USA

MATERIALS

Jar	PP
Cap	PP

PACKING SPECS

	Carton Size	N.W	Qty/Ctn
Jar	20" x 14" x 14.5"	13.4 lbs.	350
Smooth cap	20" x 14" x 14.5"	15.8 lbs.	700
Dome cap	20" x 14" x 14.5"	15.8 lbs.	680

CAPACITY

Declared	101ml
OFC	105ml ± 3%

DECO OPTIONS

Jar
 Injection color, silk screen, hot stamping
Cap
 Injection color, silk screen, hot stamping