

QUADPACK

PACK CODE JAR2253-4oz
 PACK TYPE J A R S
 CATEGORY Skincare

PRODUCT DATA SHEET

DESCRIPTION Double wall jar all PP 4oz (also available in 2 and 8oz)

BENEFITS
 Maximum compatibility with your formula
 Easy top filling (fill & screw on cap)
 Wide range of decoration
 Evacuation rate 100%

APPLICATIONS Creams, lotions, moisturizer, gel



TECHNICAL SPECIFICATIONS

GENERAL INFORMATION

PRODUCTION & PACKING

DIMENSIONS

Total Height	2.420±.015
Diameter	2.85±.015

PRODUCTION

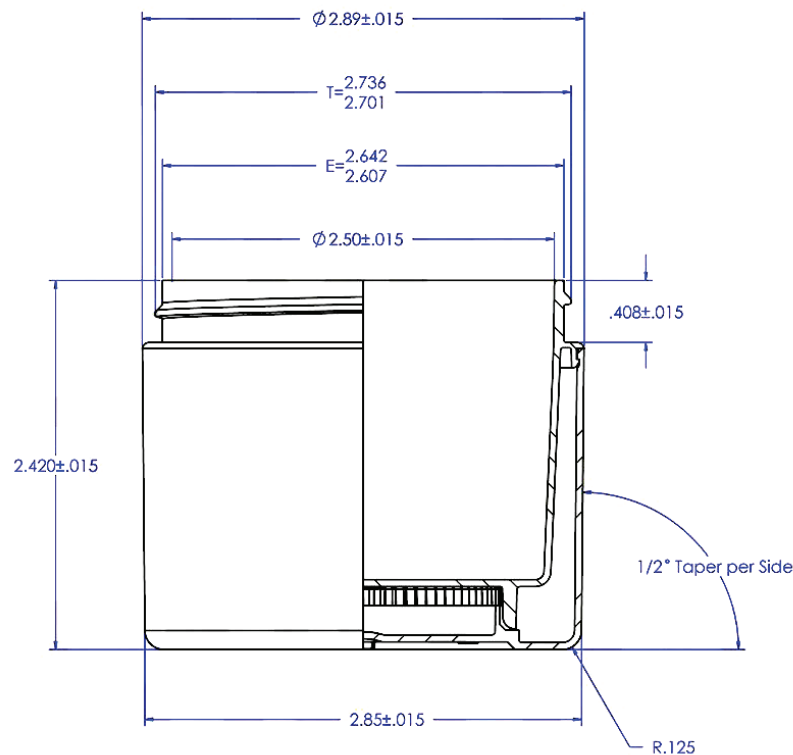
Lead time	4 - 6 weeks
MOQ	10k
Plant location	USA

MATERIALS

Jar	PP
Cap	PP

PACKING SPECS

	Carton Size	N.W	Qty/Ctn
Jar	24" x 16" x 20.2"	31 lbs	360
Smooth cap	20" x 14" x 14.5"	15.8 lbs	700
Dome Cap	20" x 14" x 14.5"	15.8 lbs	680



CAPACITY

Declared	4oz
OFC	150ml ± 3%

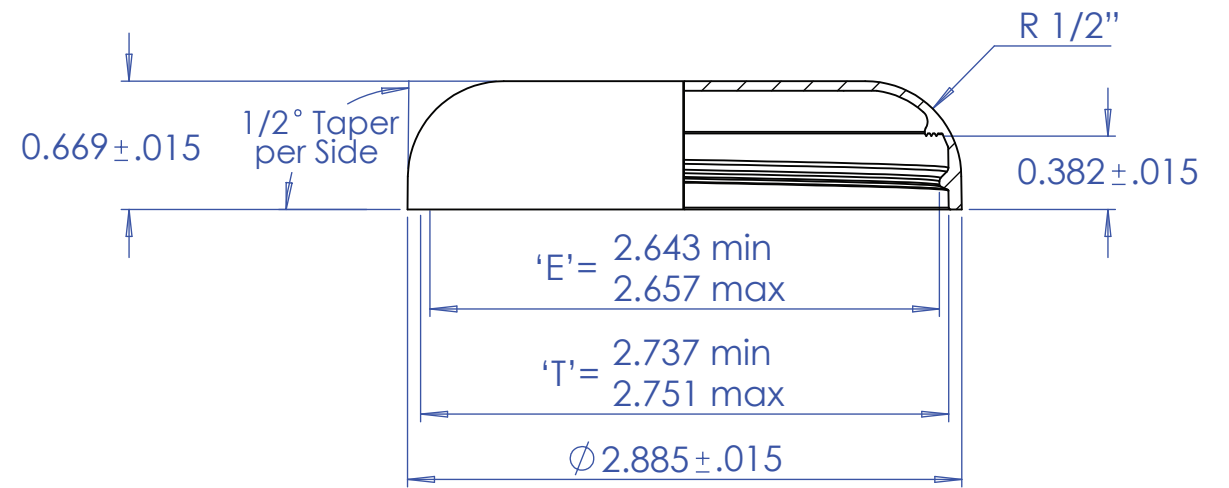
DECO OPTIONS

Jar
 Injection color, silk screen, hot stamping
Cap
 Injection color, silk screen, hot stamping

QUADPACK

CAP OPTIONS

70mm-400 Dome



70mm-400 Smooth

