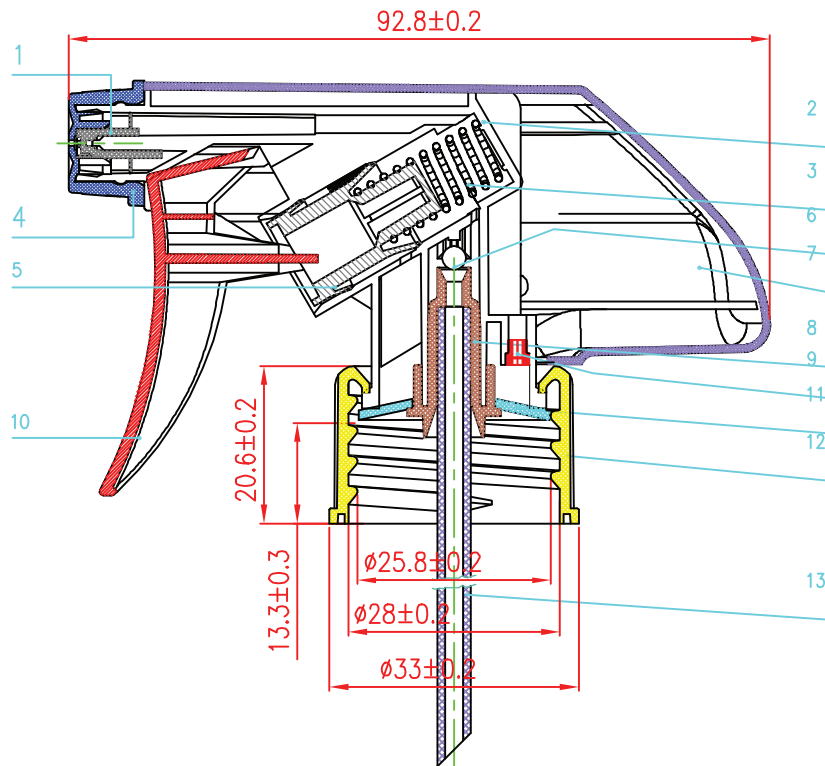


QUADPACK

PACK CODE LPS7334-B-28/410
 PACK TYPE Pumps
 CATEGORY Skincare

PRODUCT DATA SHEET



TECHNICAL SPECIFICATIONS

GENERAL INFORMATION

DIMENSIONS

Closure Height	$20.6 \pm 0.2 \text{mm}$
Closure Diameter	$\phi 33 \pm 0.2 \text{mm}$

MATERIALS

Discharge Valve	LDPE	Shroud	PP
Valve body	PP	Tube Retainer	PP
Spring	SUS	Valve	PP
Nozzle	PP	Trigger	PP
Piston	LDPE	Gasket	PE Foam
Valve ball	SUS	Closure	PP
		Dip Tube	PP

DECO OPTIONS

PUMP

Injection color, spray color, and metalization.

PACK

DOSAGE

$0.9 \pm 10\%$

NECK

Size $28/410$