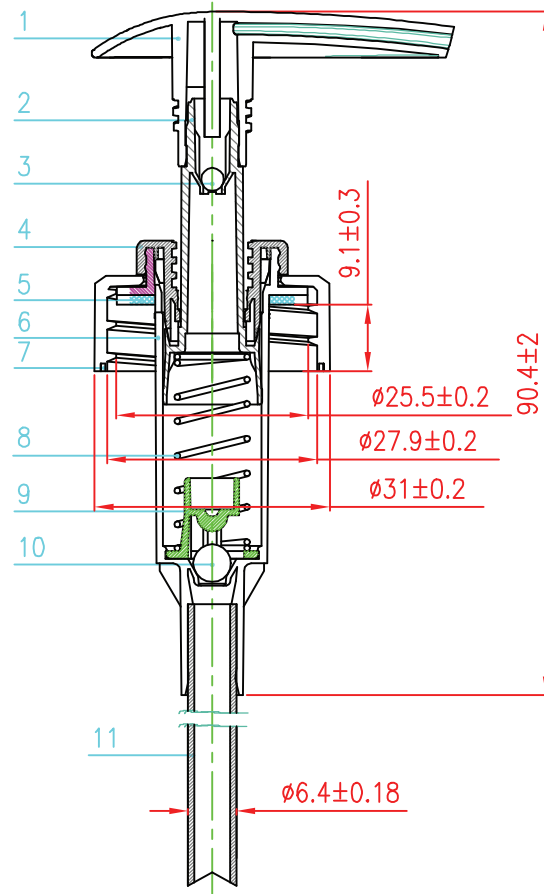


PACK CODE LPS7260-28/400
 PACK TYPE Pumps
 CATEGORY Skincare

PRODUCT DATA SHEET



TECHNICAL SPECIFICATIONS

GENERAL INFORMATION

DECO OPTIONS

DIMENSIONS

Total Height	90.4±2mm
Diameter (Closure)	ø31.2±0.2mm
Diameter (Dip tube)	ø6.4±0.18mm

PUMP

Injection color, spray color, and metalization.

MATERIALS

Actuator	PP
Piston Stem	HDPE
Ball	Glass
Chaplet	PP
Gasket	PE Foam
Housing	PP
Smooth Closure	PP
Spring	SUS 304
Sprint Seat	HDPE
Ball	Glass
Dip Tube	LDPE

PACK

DOSAGE

2.0CC±10%

NECK

Size 28/400