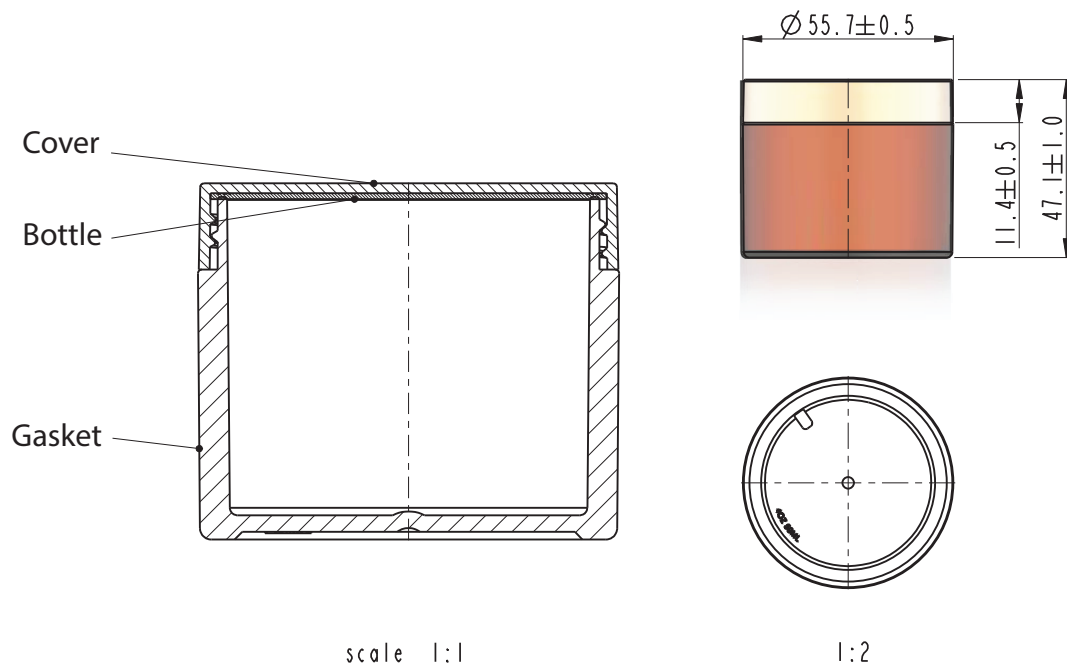


PACK CODE JAR2492 - 50ml
PACK TYPE J A R S
CATEGORY Skincare

DESCRIPTION Single wall jar 50ml (also available in 5, 10, 15, 30, 150 & 450ml)
BENEFITS Wide range of sizes
 Polystyren provide a great combination of transparency & robustness
 Easy top filling (fill & screw on cap)
 Wide range of decoration
 Evacuation rate 100%
APPLICATIONS Creams, lotions, moisturizer, gel



TECHNICAL SPECIFICATIONS

GENERAL INFORMATION

PRODUCTION & PACKING

DIMENSIONS

| | |
|--------------|-------------|
| Total Height | 42.1±1.0mm |
| Diameter | ø44.8±0.5mm |

PRODUCTION

| | |
|----------------|-------------|
| Lead time | 4 - 6 weeks |
| MOQ | 10k |
| Plant location | Asia |

MATERIALS

| | |
|--------|----|
| Bottle | PS |
| Shive | PE |
| Cap | PP |

PACKING SPECS

| | Carton Size | G.W | N.W | Qty/Ctn |
|-----|-------------|-----|-----|---------|
| Jar | 48*33*39 | 7.2 | 6.2 | 168 |
| Cap | 48*33*39 | 5.5 | 3.9 | 576 |

CAPACITY

| | |
|----------|--------|
| Declared | 50ml |
| OFC | 75±1.5 |

DECO OPTIONS

Jar Injection color, spray color, silk screen, hot stamping
Cap Injection color, metallization, silk screen, hot stamping