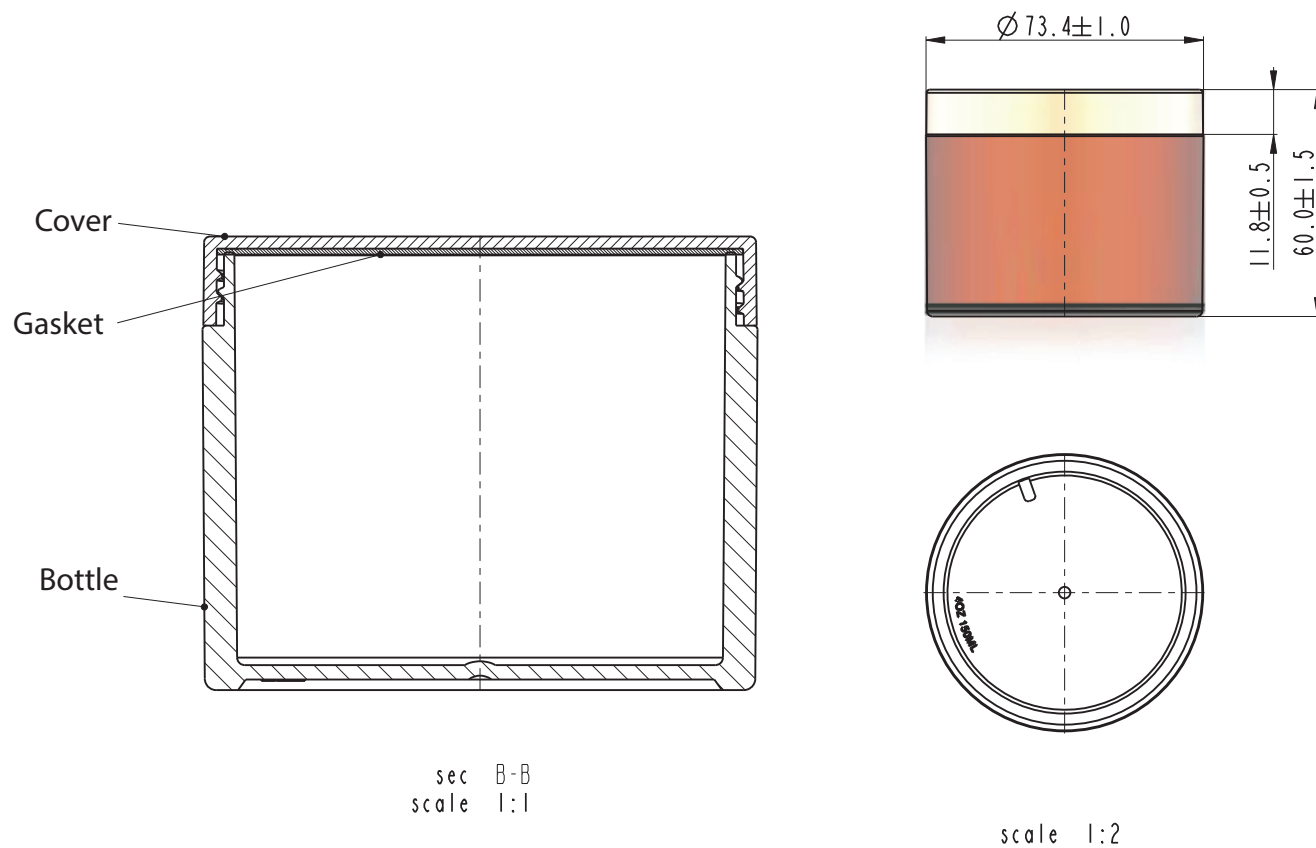


PACK CODE JAR2492 - 150ml
 PACK TYPE JARS
 CATEGORY Skincare

DESCRIPTION Single wall jar 150ml (also available in 5, 10, 15, 30, 50 & 450ml)

BENEFITS
 Wide range of sizes
 Polystyren provide a great combination of transparency & robustness
 Easy top filling (fill & screw on cap)
 Wide range of decoration
 Evacuation rate 100%

APPLICATIONS Creams, lotions, moisturizer, gel



TECHNICAL SPECIFICATIONS

GENERAL INFORMATION

PRODUCTION & PACKING

DIMENSIONS

Total Height	60.1±1.5mm
Diameter	ø73.4±1.0mm

PRODUCTION

Lead time	4 - 6 weeks
MOQ	10k
Plant location	Asia

MATERIALS

Jar	PS
Shive	PE
Cap	PP

PACKING SPECS

	Carton Size	G.W	N.W	Qty/Ctn
Jar	48*33*39	7.1	6.1	108
Cap	48*33*39	4	2.3	414

CAPACITY

Declared	150ml
OFC	179±2

DECO OPTIONS

Jar

Injection color, spray color, silk screen, hot stamping

Cap

Injection color, metallization, silk screen, hot stamping