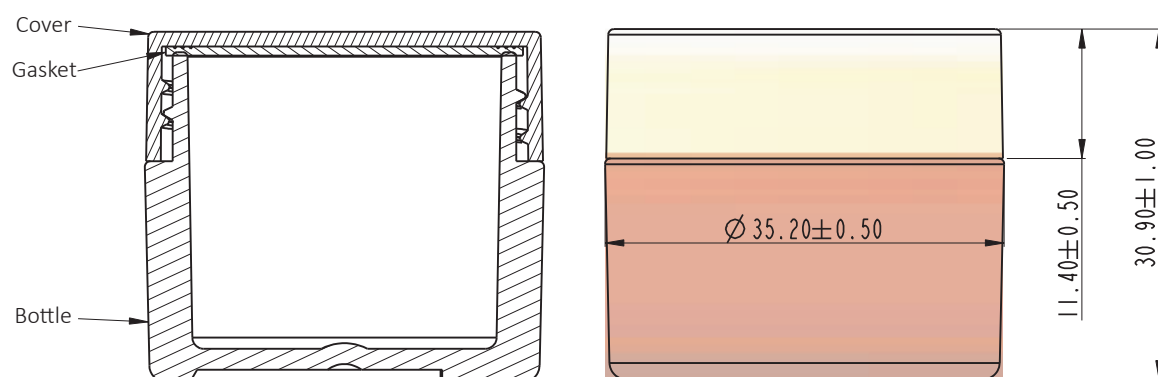


PACK CODE JAR2492 - 10ml
PACK TYPE J A R S
CATEGORY Skincare

DESCRIPTION Single wall jar 10ml (also available in 5, 15, 30, 50, 150 & 450ml)
BENEFITS Wide range of sizes
 Polystyren provide a great combination of transparency & robustness
 Easy top filling (fill & screw on cap)
 Wide range of decoration
 Evacuation rate 100%

APPLICATIONS Creams, lotions, moisturizer, gel



A-A
3:2



TECHNICAL SPECIFICATIONS

GENERAL INFORMATION

PRODUCTION & PACKING

DIMENSIONS

Total Height	30.90±1.00mm
Diameter	ø35.2±0.5mm

PRODUCTION

Lead time	4 - 6 weeks
MOQ	10k
Plant location	Asia

MATERIALS

Jar	PS
Shive	PE
Cap	PP

PACKING SPECS

	Carton Size	G.W	N.W	Qty/Ctn
Jar	48*33*39	9	8	910
Cap	48*33*39	6.2	5.2	1890

CAPACITY

Declared	10ml
OFC	15.2±1

DECO OPTIONS

Jar
 Injection color, spray color, silk screen, hot stamping
Cap
 Injection color, metallization, silk screen, hot stamping