

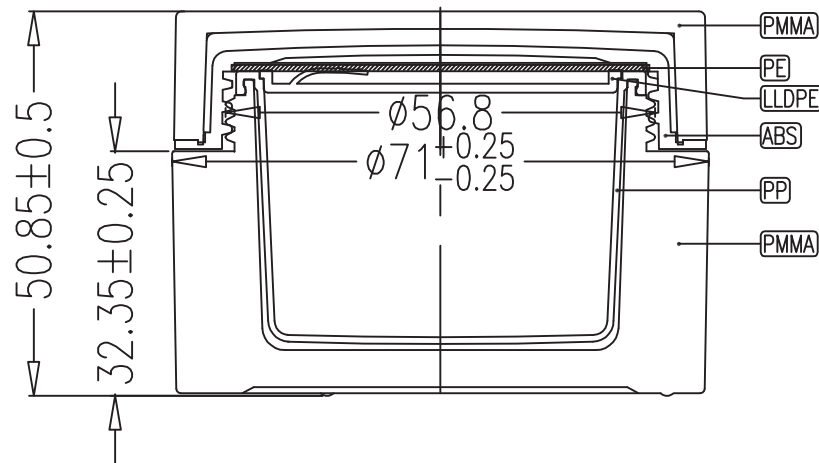
PACK CODE JAR1149-50ml  
 PACK TYPE JARS  
 CATEGORY Skincare

## PRODUCT DATA SHEET

**DESCRIPTION** Acrylic double wall jar 50ml (also available in 15, 30, 100, 150 & 200ml)

**BENEFITS**  
 Acrylic raw material provide provide perfect transparency  
 Maximum compatibility between the PP inner jar and your fomula  
 Easy top filling (fill & screw on cap)  
 Wide range of decoration  
 Evacuation rate 100%

**APPLICATIONS** Creams, lotions, moisturizer, gel



### TECHNICAL SPECIFICATIONS

#### GENERAL INFORMATION

##### DIMENSIONS

Total Height	50.85±0.5mm
Diameter	ø71±.025mm

##### MATERIALS

Outer cap	PMMA
Disc	PE
Lid	LLDPE
Inner cap	PP
Inner jar	PP
Outer jar	PMMA

##### CAPACITY

Declared	50ml
----------	------

#### PRODUCTION & PACKING

##### PRODUCTION

Lead time	4 - 6 weeks
MOQ	10k
Plant location	Asia

#### DECO OPTIONS

##### Inner jar

Injection color, metallization

##### Outer jar

Spray, silk screen, hot stamping

##### Cap

Injection color, metallization, silk screen, hot stamping