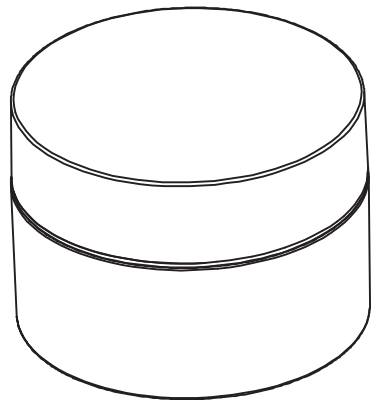
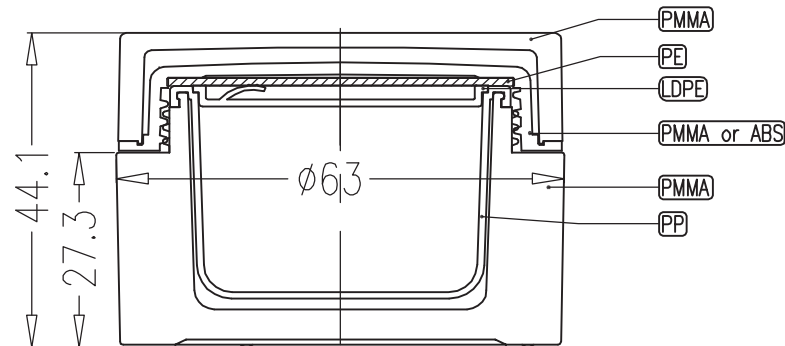


PACK CODE JAR1149-30ml
 PACK TYPE JARS
 CATEGORY Skincare



PRODUCT DATA SHEET

DESCRIPTION Acrylic double wall jar 30ml (also available in 15, 50, 100, 150 & 200ml)

BENEFITS
 Acrylic raw material provide provide perfect transparency
 Maximum compatibility between the PP inner jar and your fomula
 Easy top filling (fill & screw on cap)
 Wide range of decoration
 Evacuation rate 100%

APPLICATIONS Creams, lotions, moisturizer, gel

TECHNICAL SPECIFICATIONS

GENERAL INFORMATION

DIMENSIONS

Total Height	44.1mm
Diameter	ø63mm

MATERIALS

Outer cap	PMMA
Disc	PE
Lid	LLDPE
Inner cap	PP
Inner jar	PP
Outer jar	PMMA

CAPACITY

Declared	30ml
----------	------

PRODUCTION & PACKING

PRODUCTION

Lead time	4 - 6 weeks
MOQ	10k
Plant location	Asia

DECO OPTIONS

Inner jar

Injection color, metallization

Outter jar

Spray, silk screen, hot stamping

Cap

Injection color, metallization, silk screen, hot stamping