

QUADPACK

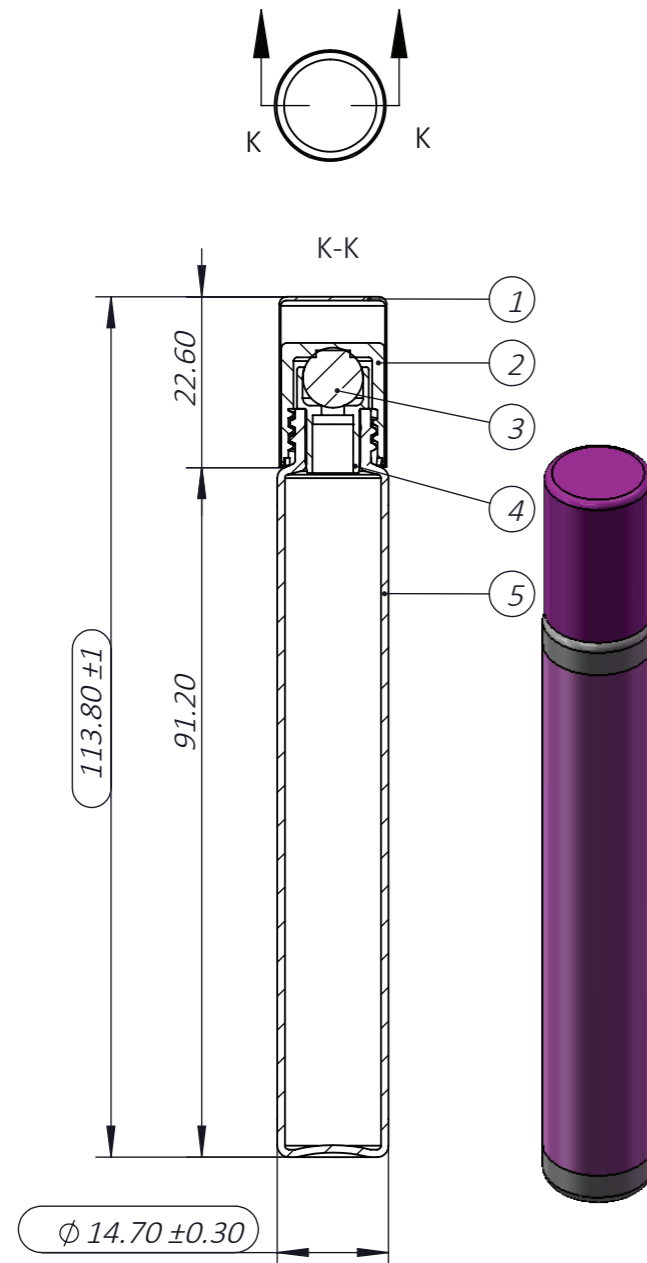
PACK CODE GLS5107-10ml
 PACK TYPE Fragrance
 CATEGORY Skincare

PRODUCT DATA SHEET

DESCRIPTION 10ml Glass Roller Ball

BENEFITS Portable solution
 Ideal for travel

APPLICATIONS Fragrance, sanitizer, moisturizer



TECHNICAL SPECIFICATIONS

GENERAL INFORMATION

DIMENSIONS

Total Height	13.8±1mm
Diameter	1mm4.7±0.3

MATERIALS

Outer Cover	AL
Inner Cap	PP
Roller Ball	Glass
Roller House	LDPE
Bottle	Glass

CAPACITY

Declared	10ml
----------	------

PRODUCTION & PACKING

PRODUCTION

Lead time	6-8 weeks
MOQ	10k
Plant location	Asia

PACKING SPECS

	Carton Size	GW	Qty/Ctn
Vial	0.49*0.35*0.26m	14kg	1152
Plastic fitment & ball	0.42*0.32*0.24m	25kg	10000
Plastic cap	0.49*0.35*0.26m	14kg	6156

DECO OPTIONS

Bottle
 Spraying, metalization, silk screen & hot stamp