

PACK CODE **BTL4655-35ml**
 PACK TYPE **Bottles**
 CATEGORY **Skincare**

PRODUCT DATA SHEET

DESCRIPTION

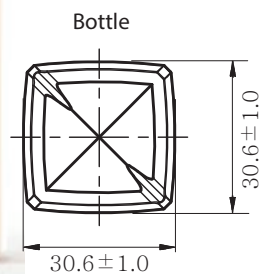
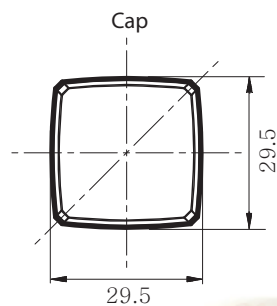
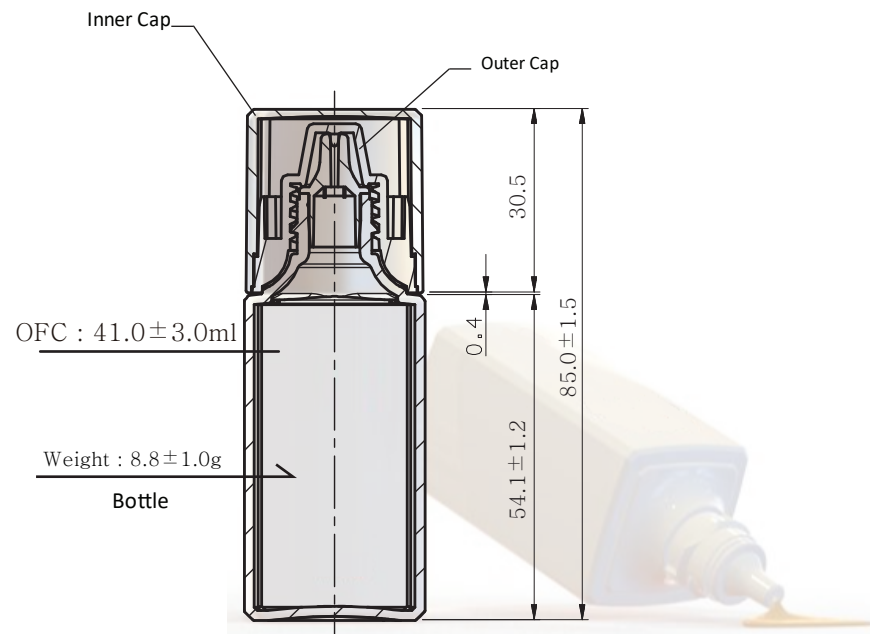
Multi-layer square PE tottle with screw on cap in 35ml (also available in 55ml) capacity.

BENEFITS

Popular for cosmetics that need to be squeezed out. Great delivery system for one handed use. Multi layer material provides best barrier to keep your formula fresh and works with the widest ranges of active ingredients

APPLICATIONS

Creams, lotions, foundations, serums, concealer, moisturizer & scrubs



TECHNICAL SPECIFICATIONS

GENERAL INFORMATION

DIMENSIONS

Total Height
Diameter

MATERIALS

Bottle	LDPE & EVOH
Inner Cap	PP
Outer Cap	PP
Orifice	LDPE

CAPACITY

Declared	35ml
OFC	38.0±2.5ml

PRODUCTION & PACKING

PRODUCTION

Lead time	4-6 weeks
MOQ	10k
Plant location	Asia

PACKING SPECS

	Carton Size	G.W	N.W	Qty/Ctn
Bottle	480 * 380 * 390	8.7	7.7	864
Cap	520 * 330 * 400	11	10	1008
Plug	520 * 330 * 400	15.53	14.53	30000

DECO OPTIONS

Bottle Outer

Injection or spray color, metallization
Silk screen, hot stamp, label