

# QUADPACK

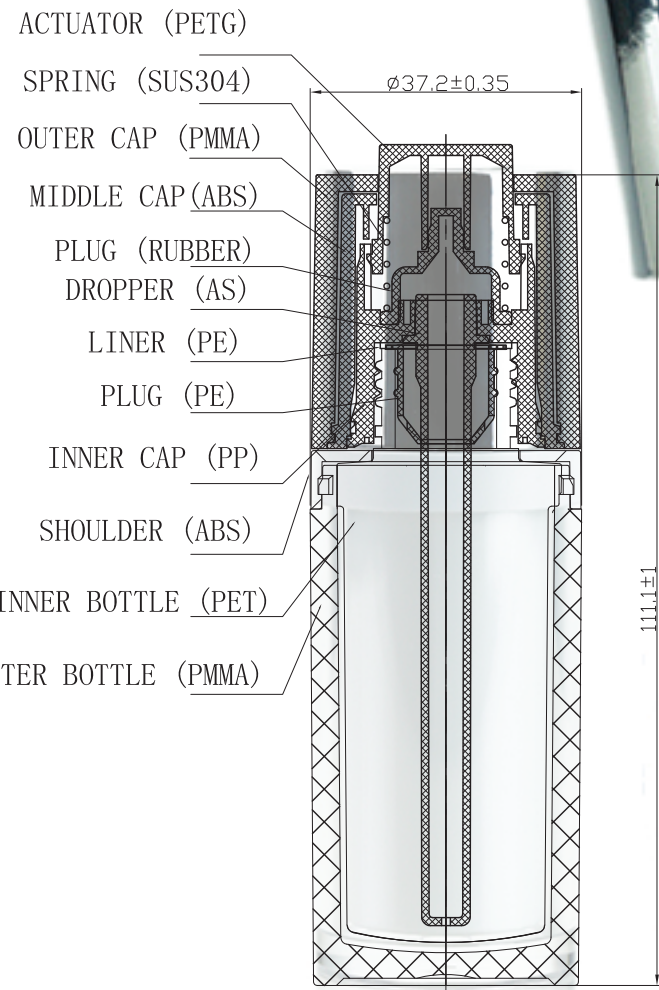
**PACK CODE** BTL4629-30ml  
**PACK TYPE** Droppers  
**CATEGORY** Skincare

## PRODUCT DATA SHEET

**DESCRIPTION** Dropper pastic bottle - 30ml  
 Double wall (PET inner & PMMA outer)

**BENEFITS**  
 Precise application and dosage  
 Formula protection (ideal for low viscosity cosmetic formulations)  
 High restitution rate (wide range of viscosity)  
 Sensitive formulas  
 Wide range of decorations

**APPLICATIONS** Serum, oil, foundation, concealer, fragrance and more.



### TECHNICAL SPECIFICATIONS

#### GENERAL INFORMATION

#### PRODUCTION & PACKING

##### DIMENSIONS

Total Height	111.1±1mm
Diameter	φ37.2±0.35mm

##### PRODUCTION

Lead time	4-6 weeks
MOQ	25k
Plant location	Asia

##### MATERIALS

Actuator	PETG	Liner	PE
Spring	SUS304	Plug	PE
Outer Cap	PMMA	Inner Cap	PP
Middle Cap	ABS	Shoulder	ABS
Plug	RUBBER	Inner Bottle	PET
Dropper	AS	Outer Bottle	PMMA

##### PACKING SPECS

	Carton Size	G.W	N.W	Qty/Ctn
Bottle	490*320*310	8.9	7.9	192
Cap & Dropper	490*320*310	9	8	280

##### DOSAGE

.23±0.5ml

##### CAPACITY

Declared	30ml
OFC	36±2ml

#### DECO OPTIONS

##### Bottle

Injection color, spray color, metalization, silk screen & hot stamping

##### Cap

Injection color, spray color, metalization, silk screen & hot stamping

##### Pipette

No decoration