

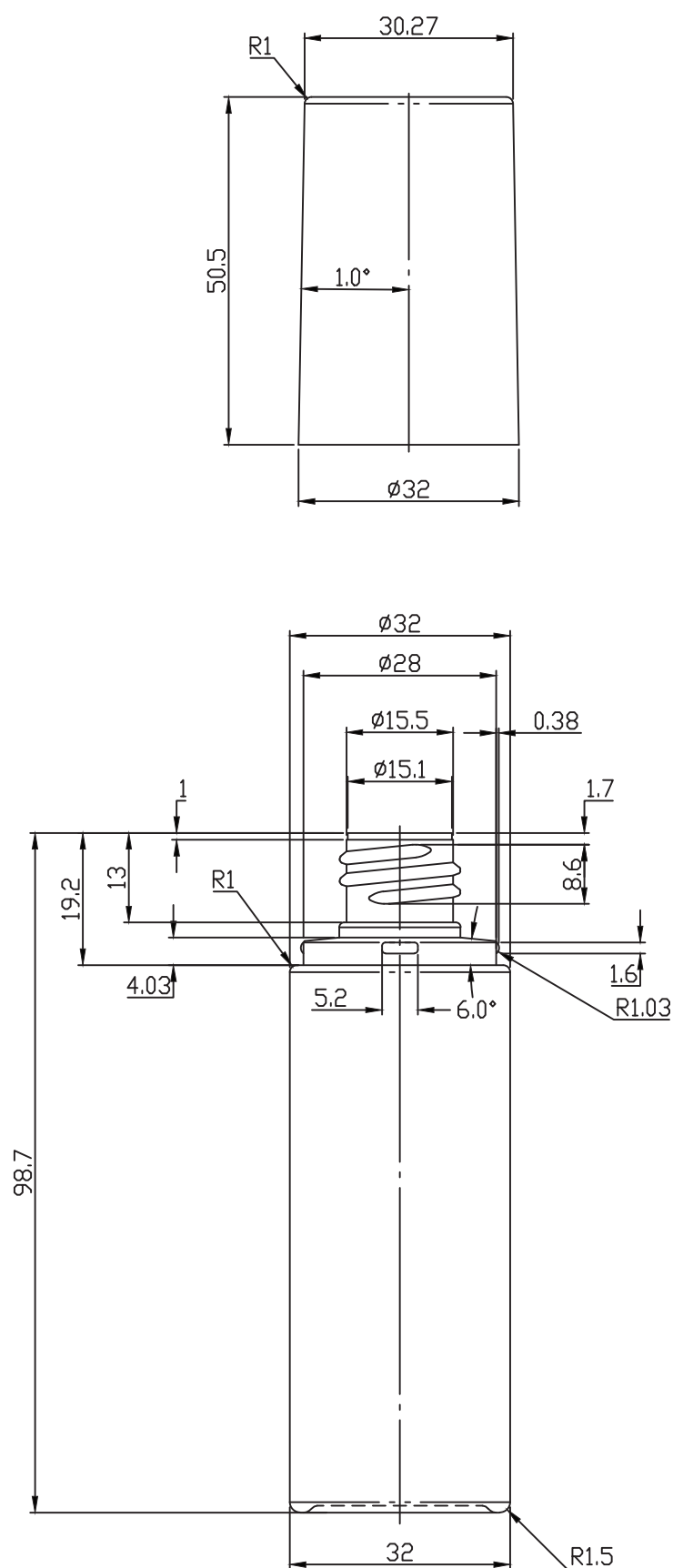
**PACK CODE** BTL4386-50ml  
**PACK TYPE** Bottles  
**CATEGORY** Skincare

## PRODUCT DATA SHEET

**DESCRIPTION** 50ml Round PETG cylinder bottle with flush over cap (available in 15ml, 30ml, 50ml, 100ml, 120ml, 150ml, 150ml tall, 200ml, 200ml tall, 250ml, & 250ml tall)

**BENEFITS** Round shape for easy handling. Lotion Available with lotion, treatment or fine mist spray pump for smooth output and good pump for wide range of products product compatibility. East top filling (fill and screw)

**APPLICATIONS** Creams, lotions, foundations, serums, concealer, moisturizer



### TECHNICAL SPECIFICATIONS

#### GENERAL INFORMATION

#### PRODUCTION & PACKING

##### DIMENSIONS

Total Height	129.5±0.2mm
Diameter	32±0.2

##### PRODUCTION

Lead time	4-6 weeks
MOQ	25k
Plant location	Asia

##### MATERIALS

Cap	PMMA
Bottle	PETG

##### PACKING SPECS

	Carton Size	G.W	N.W	Qty/Ctn
Caps	47*33*48cm	10.9 kgs	9.6 kgs	896
Bottles	63*52*36cm	11.2 kgs	10.2kgs	720

##### DOSAGE

0.2cc

##### DECO OPTIONS

#### Bottle Outer

Injection or spray color, metallization  
Silk screen, hot stamp, label

#### Bottle inner

Injection color, spray color, metalization.

#### Collar

Injection color, spray color, metalization.

#### Actuator

Injection color

##### CAPACITY

Declared	50ml
OFC	59±1ml