

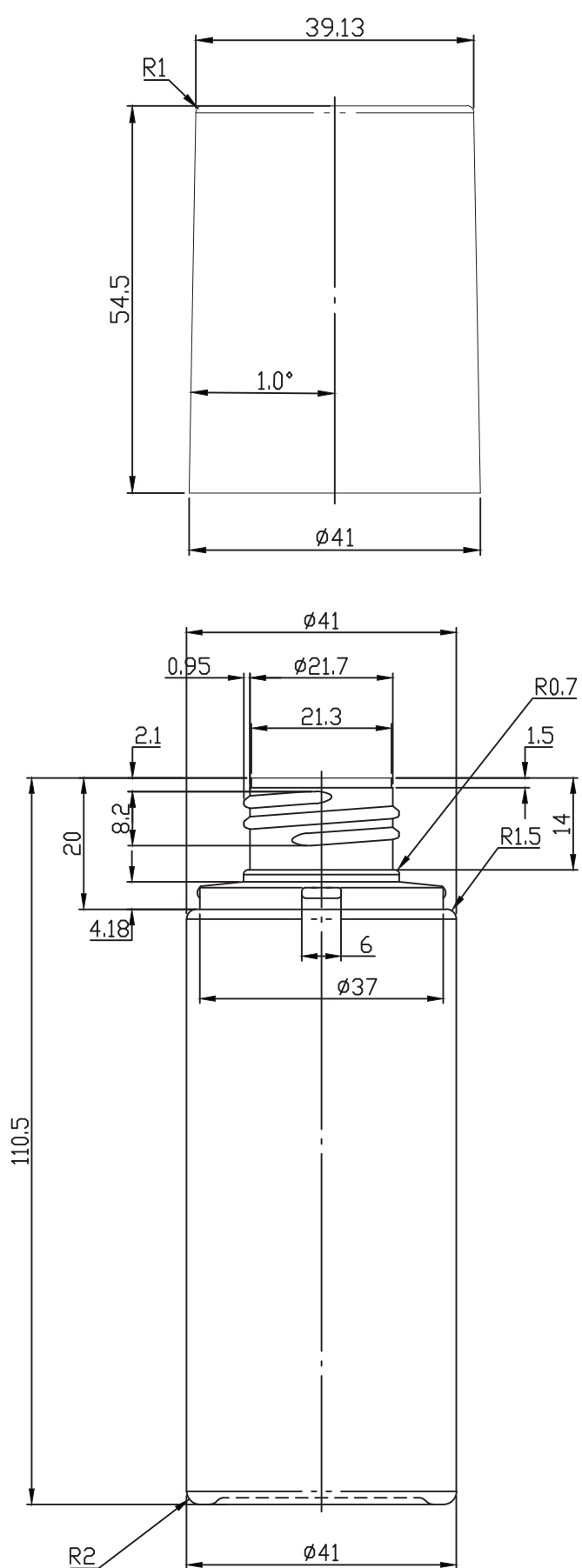
PACK CODE BTL4386-100ml  
 PACK TYPE Bottles  
 CATEGORY Skincare

## PRODUCT DATA SHEET

**DESCRIPTION** 100ml Round PETG cylinder bottle with flush over cap (available in 15ml, 30ml, 50ml, 100ml, 120ml, 150ml, 150ml tall, 200ml, 200ml tall, 250ml, & 250ml tall)

**BENEFITS** Round shape for easy handling. Lotion Available with lotion, treatment or fine mist spray pump for smooth output and good pump for wide range of products product compatibility. East top filling (fill and screw)

**APPLICATIONS** Creams, lotions, foundations, serums, concealer, moisturizer



### TECHNICAL SPECIFICATIONS

#### GENERAL INFORMATION

#### PRODUCTION & PACKING

DIMENSIONS	
Total Height	165mm
Diameter	ø41±0.2

PRODUCTION	
Lead time	25 days
MOQ	10k
Plant location	Asia

MATERIALS	
Cap	PMMA
Bottle	PETG

PACKING SPECS				
	Carton Size	G.W	N.W	Qty/Ctn
Caps	63*52*36cm	16.3kg	14.8kg	972
Bottles	63*52*36cm	9.5kg	8.4kg	384

DOSAGE	
Declared	0.2cc

#### DECO OPTIONS

- Bottle Outer**  
Injection or spray color, metallization  
Silk screen, hot stamp, label
- Bottle inner**  
Injection color, spray color, metalization.
- Collar**  
Injection color, spray color, metalization.
- Actuator**  
Injection color

CAPACITY	
Declared	100ml