

PACK CODE **ABT5221-15ml**  
 PACK TYPE **Airless**  
 CATEGORY **Skincare**

### DESCRIPTION

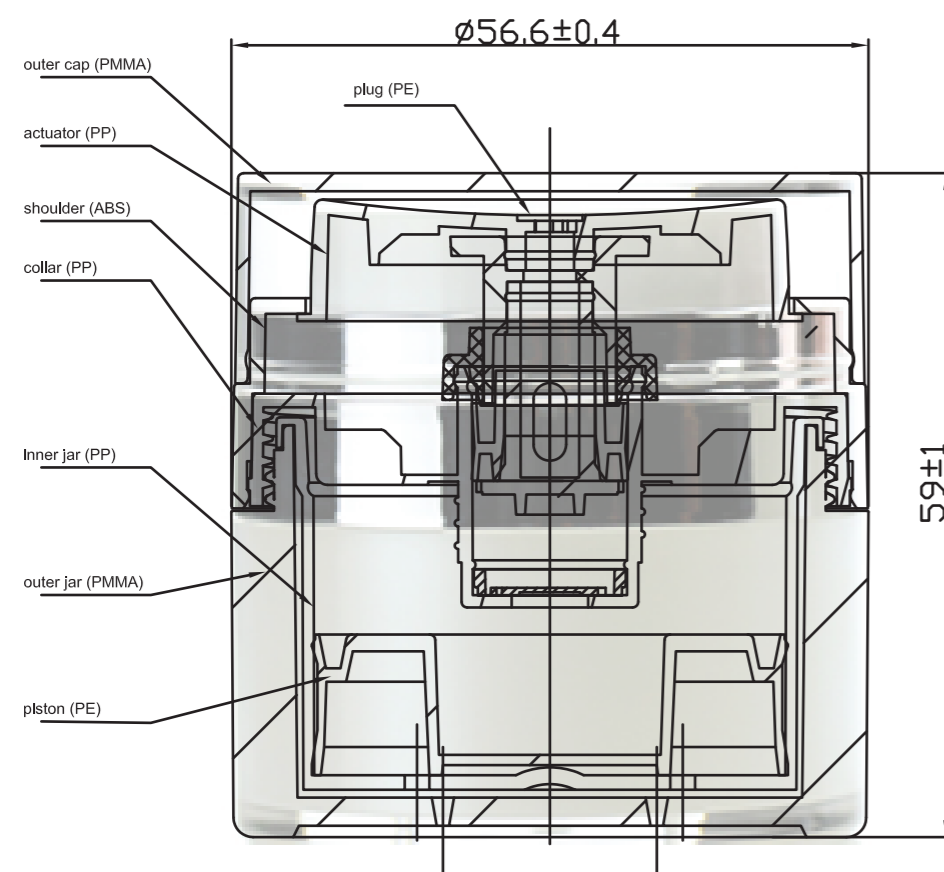
Airless Jar Dispenser - 15ml (also available in 30 & 50ml)  
 Double wall jar with central top actuator

### BENEFITS

Innovative design	Smooth actuation even with medium / high viscosities
PP inner for best compatibility	Improved product shelf life up to 15% more
Easy top filling (fill & screw)	Precise dosage even upside down
Wide range of decorations	High restitution rate
	Sensitive formulas

### APPLICATIONS

Creams, lotions, foundations, serums, concealer, moisturizer



### TECHNICAL SPECIFICATIONS

#### GENERAL INFORMATION

##### DIMENSIONS

Total Height	59±1mm
Diameter	56.6±0.4mm

##### MATERIALS

Outer Cap	PMMA	Inner Bottle	PP
Actuator	PP	Outer Bottle	PMMA
Shoulder	ABS	Piston	PE
Collar	PP	Plug	PE

##### DOSAGE

0.5±0.1ml

##### CAPACITY

Declared	15ml
OFC	15±2ml

#### PRODUCTION & PACKING

##### PRODUCTION

Lead time	4 - 6 weeks
MOQ	10k
Plant location	Asia

##### PACKING SPECS

	Carton Size	G.W	N.W	Qty/Ctn
Inner Bottle	510*310*370	12.2	11.2	224
Cap & Pump	550*360*300	10.6	9.6	280

#### DECO OPTIONS

##### Outer bottle

Injection or spray color, metallization  
 Silk screen, hot stamp

##### Inner bottle

Injection color

##### Collar

Injection color, spray color, metalization.

##### Actuator

Injection color

##### Overcap

Injection color