

PACK CODE ABT10-149-50ml  
 PACK TYPE Airless  
 CATEGORY Skincare

### DESCRIPTION

Soul Airless Dispenser - 50ml (also available in 15 & 30ml)  
 Unique curvy design - double wall premium airless

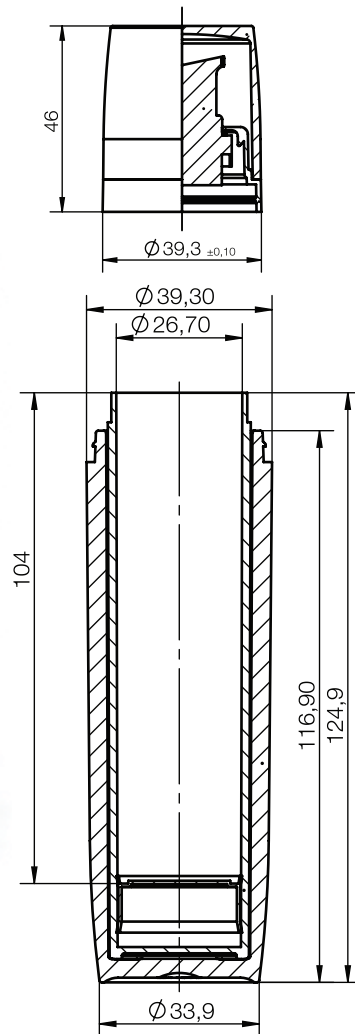
### BENEFITS

Available in SAN & SMMA  
 PP inner for best compatibility  
 Easy top filling (fill & screw)  
 Wide range of decorations  
 High restitution rate

Smooth actuation even with medium / high  
 Improved product shelf life up to 15% more  
 Precise dosage even upside down  
 Sensitive formulas

### APPLICATIONS

Creams, lotions, foundations, serums, concealer, moisturizer



### TECHNICAL SPECIFICATIONS

#### GENERAL INFORMATION

##### DIMENSIONS

Total Height	156.25mm
Diameter	ø33.9mm

##### MATERIALS

Outer bottle	SAN
Inner bottle	PP
Collar	PP
Actuator	PP
Cap	SAN
Pump	PP / POM / Steel

##### DOSAGE

Standard	0.30cc (0.50cc on demand)
----------	---------------------------

##### CAPACITY

Declared	50ml
----------	------

#### PRODUCTION & PACKING

##### PRODUCTION

Lead time w/o deco	8-10 weeks
MOQ	10k
Plant location	Germany

##### PACKING SPECS

	Carton Size	Qty/Ctn
Cap & pump	58*38*23	144
Bottle assembled		360

#### DECO OPTIONS

##### Bottle Outer

Injection or spray color, metallization, sof'touch  
 Silk screen, hot stamp, label & digital printing

##### Bottle inner

Injection color

##### Collar

Injection color, hot stamping & metallization

##### Actuator

Injection color & metallization

##### Cap

Injection or spray color, metallization, sof'touch  
 Silk screen, hot stamp, label digital & 3D printing