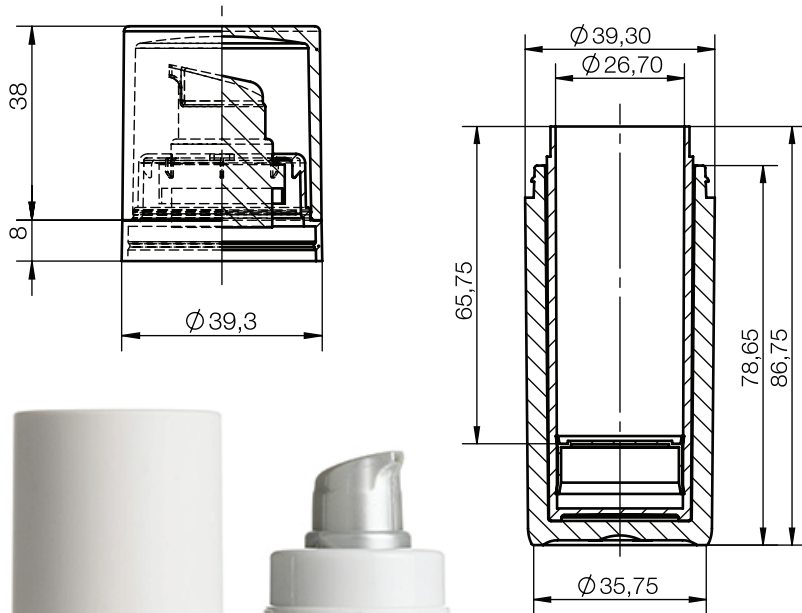


PACK CODE ABT10-146-30ml
PACK TYPE Airless
CATEGORY Skincare



PRODUCT DATA SHEET

DESCRIPTION

Regula Airless Dispenser - 30ml (also available in 15 & 50ml)
 Double wall premium airless look with straight edge
 Sustainable options RPET bottle and cap, refillable system

BENEFITS

Wide range of raw materials : SAN / SMMA / PETG / PET
 PP inner for best Smooth actuation even with medium / high compatibility
 Easy top filling (fill & screw) Improved product shelf life up to 15% more
 Wide range of decorations Precise dosage even upside down
 Sensitive formulas

APPLICATIONS

Creams, lotions, foundations, serums, concealer, moisturizer

TECHNICAL SPECIFICATIONS

GENERAL INFORMATION

DIMENSIONS

Total Height	118mm
Diameter	ø35.75mm

MATERIALS

Outer bottle	SAN
Inner bottle	PP
Collar	PP
Actuator	PP
Cap	SAN
Pump	PP / POM / Steel

DOSAGE

Standard 0.30cc	(0.50cc on demand)
-----------------	--------------------

CAPACITY

Declared	30ml
----------	------

PRODUCTION & PACKING

PRODUCTION

Lead time w/o deco	8-10 weeks
MOQ	10k
Plant location	Germany

PACKING SPECS

	Carton Size	Qty/Ctn
Cap & pump	58*38*23	216
Bottle assembled		360

DECO OPTIONS

Bottle Outer

Injection or spray color, metallization, soft touch
 Silk screen, hot stamp, label & digital printing

Bottle inner

Injection color

Collar

Injection color, hot stamping & metallization

Actuator

Injection color & metallization

Cap

Injection or spray color, metallization, soft touch
 Silk screen, hot stamp, label digital & 3D printing