

PACK CODE ABT10-145-15ml
 PACK TYPE Airless
 CATEGORY Skincare

PRODUCT DATA SHEET

DESCRIPTION

Regula Airless Dispenser - 15ml (also available in 30 & 50ml)
 Double wall premium airless look with straight edge
 Sustainable options RPET bottle and cap, refillable system

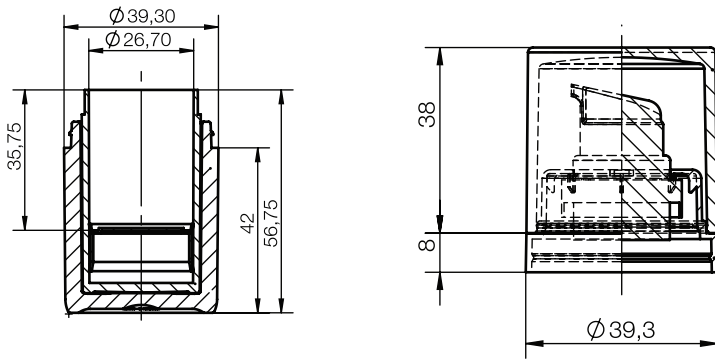
BENEFITS

Wide range of raw materials : SAN / SMMA / PETG / PET
 PP inner for best compatibility
 Easy top filling (fill & screw)
 Wide range of decorations

Smooth actuation even with medium / high
 Improved product shelf life up to 15% more
 Precise dosage even upside down
 Sensitive formulas

APPLICATIONS

Creams, lotions, foundations, serums, concealer, moisturizer



TECHNICAL SPECIFICATIONS

GENERAL INFORMATION

DIMENSIONS

Total Height	88mm
Diameter	ø36.28mm

MATERIALS

Outer bottle	SAN
Inner bottle	PP
Collar	PP
Actuator	PP
Cap	SAN
Pump	PP / POM / Steel

DOSAGE

Standard	0.30cc	(0.50cc on demand)
----------	--------	--------------------

CAPACITY

Declared	15ml
----------	------

PRODUCTION & PACKING

PRODUCTION

Lead time w/o deco	8-10 weeks
MOQ	10k
Plant location	Germany

PACKING SPECS

	Carton Size	Qty/Ctn
Cap & pump	58*38*23	288
Bottle assembled		360

DECO OPTIONS

Bottle Outer

Injection or spray color, metallization, soft touch
 Silk screen, hot stamp, label & digital printing

Bottle inner

Injection color

Collar

Injection color, hot stamping & metallization

Actuator

Injection color & metallization

Cap

Injection or spray color, metallization, soft touch
 Silk screen, hot stamp, label digital & 3D printing